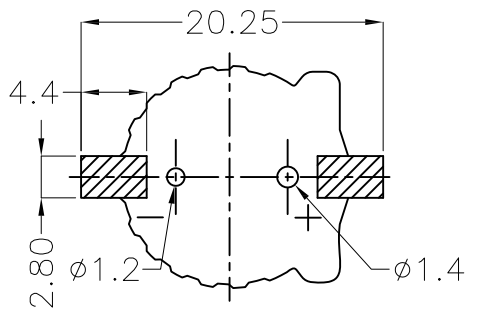
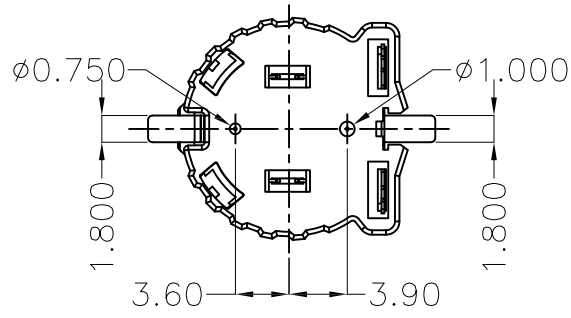
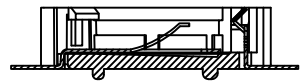
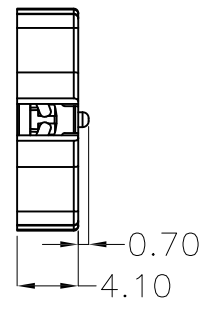
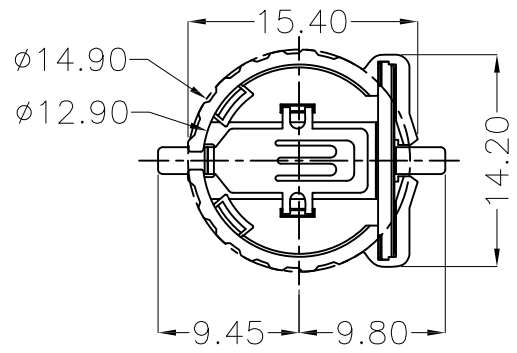


6	5	4	3	2	1		
APPROVED: _____			Rev	AWO #	Description	Date	Appr
DATE: _____ TITLE: _____			-		RELEASED	3/20/20	



RECOMMENDED PCB LAYOUT

**SPECIFICATIONS:**  
 Material:  
 Housing: Hi-temp thermoplastic, Color: Brown  
 Contact: Phosphor Bronze, Gold plated  
 Electrical:  
 Contact resistance: 30 mohms max  
 Insulation resistance: 1,000 Megaohms ohms min  
 Dielectric Voltage: 500 VAC one sec level  
 Temperature Rating:  
 Operating temperature: -25°C to +85°C  
 Environmental:  
 Lead free, RoHS compliant



UNLESS OTHERWISE SPECIFIED  
 ALL DIMENSIONS ARE MILLIMETERS  
 TOLERANCES: EXCEPT AS NOTED

MM	ANGLE
X ± 0.30	X ± 1°
X.X ± 0.25	X.X ± 0.5°
X.XX ± 0.20	
X.XXX ± 0.10	

APPROVALS		DATE
DRAWN	LH	3/20/20
CHECKED	MY	3/20/20
APPROVED		

**ADAM TECH** 909 Rahway Avenue,  
 Union, NJ 07083  
 Phone: 908-687-5000  
 INTERCONNECTS Fax: 908-687-5710

TITLE BATTERY COIN CELL HOLDER, SMT TYPE FOR CR1220, BROWN COLOR			
SIZE X	PART NO. BH-44G-5	REV. -	
REF: S00136C	SCALE: NTS	SHEET 1 OF 1	