

6

5

4

3

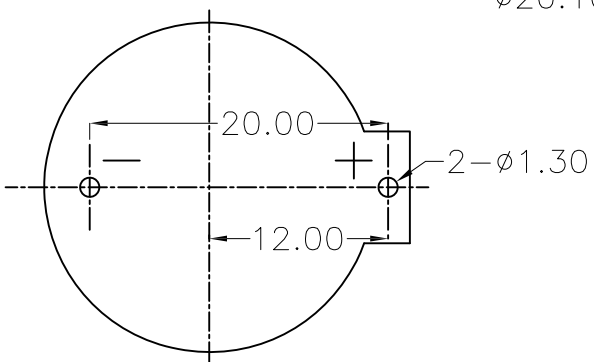
2

1

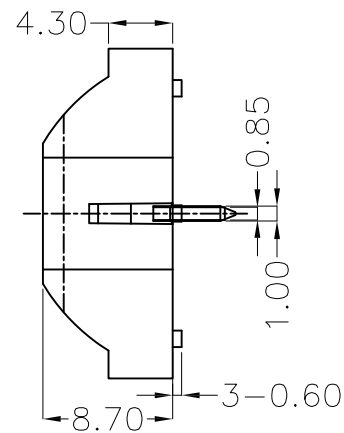
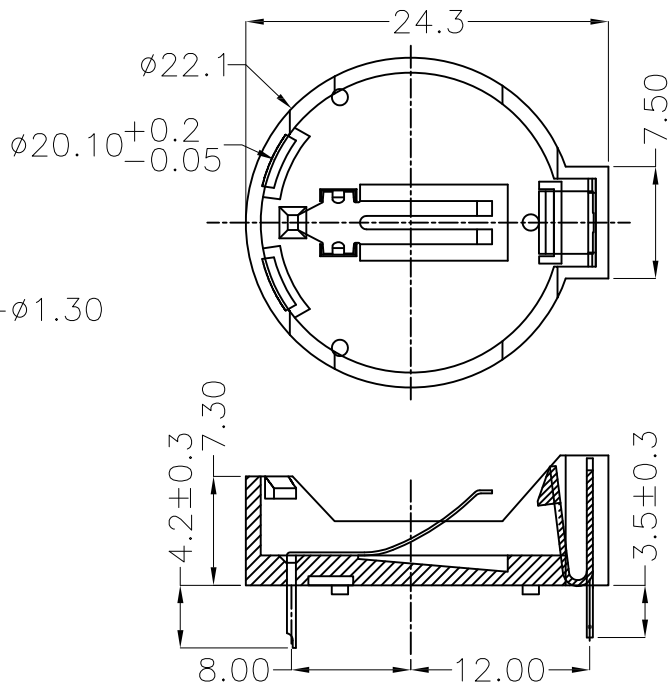
APPROVED: _____

DATE: _____ TITLE: _____

Rev	AWO #	Description	Date	Appr
-		RELEASED	3/12/20	



RECOMMENDED PCB LAYOUT



SPECIFICATIONS:

Material:

Housing: PBT, rated UL94V-0, Color: Black

Contact: Brass, Tin plated

Electrical:

Contact resistance: 30 Milliohms max

Insulation resistance: 1,000 Megaohms ohms min

Dielectric Voltage: 500 VAC @ sea level

Temperature Rating:

Operating temperature: -25°C to +85°C

Environmental:

Lead free, RoHS compliant



UNLESS OTHERWISE SPECIFIED
 ALL DIMENSIONS ARE MILLIMETERS
 TOLERANCES: EXCEPT AS NOTED
 MM ANGLE

X	± 0.30	X	± 1°
X.X	± 0.25	X.X	± 0.5°
X.XX	± 0.20		
X.XXX	± 0.10		



909 Rahway Avenue,
 Union, NJ 07083
 Phone: 908-687-5000
 Fax: 908-687-5710

APPROVALS		DATE
DRAWN	LH	3/12/20
CHECKED	MY	3/12/20
APPROVED		

TITLE		BATTERY HOLDER, PCB THRU HOLE FOR 2032	
SIZE	PART NO.	REV.	
X	BH-25F-1	-	
REF:	S00136C	SCALE:	NTS
		SHEET 1 OF 1	

6

5

4

3

2

1