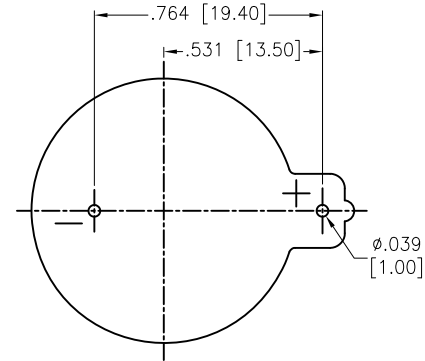
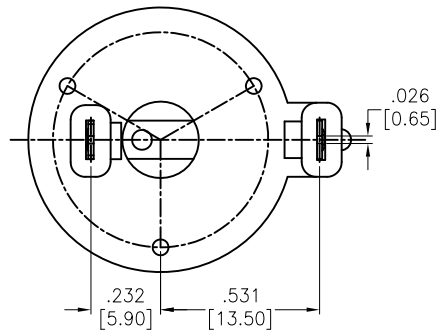
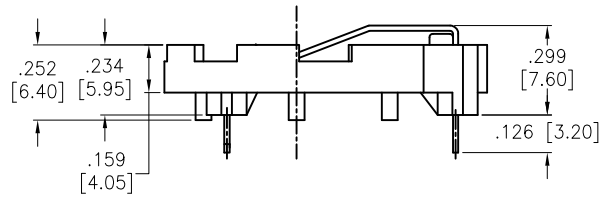
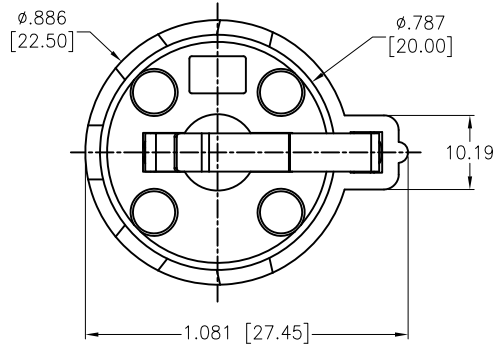


APPROVED: \_\_\_\_\_  
 DATE: \_\_\_\_\_ TITLE: \_\_\_\_\_

Rev	AWO #	Description	Date	Appr
-		RELEASED	8/11/16	
A		UPDATED DRAWING	9/18/18	HR/YC



RECOMMENDED PCB LAYOUT

**SPECIFICATIONS:**

Material:  
 Housing: PBT, rated UL94V-0, Color: Black  
 Contact: Mn Steel, Nickel plated  
 Electrical:  
 Contact resistance: 30 mohms max  
 Insulation resistance: 1,000 Mohms min  
 Dielectric Voltage: 500 VAC one sec level  
 Temperature Rating:  
 Operating temperature: -25°C to +85°C.  
 Environmental:  
 Lead free, RoHS compliant



UNLESS OTHERWISE SPECIFIED ALL DIMENSIONS ARE INCHES [MM] TOLERANCES: EXCEPT AS NOTED INCHES HOLES .X ± .10 Ø.X ± .10 .XX ± .020 Ø.XX ± .015 .XXX ± .015 Ø.XXX ± .010		<b>ADAM TECH</b> INTERCONNECTS		909 Rahway Avenue, Union, NJ 07083 Phone: 908-687-5000 Fax: 908-687-5710	
APPROVALS		DATE		TITLE	
DRAWN	HR	8/11/16		BATTERY HOLDER, PCB THRU HOLE FOR CR2032, BLACK COLOR	
CHECKED	LW	8/11/16		SIZE	PART NO.
APPROVED				X	BH-25E-1
		REF:	S00136C	SCALE:	NTS
				SHEET 1 OF 1	

6

5

4

3

2

1

D

D

C

C

B

B

A

A

6

5

4

3

2

1