

6

5

4

3

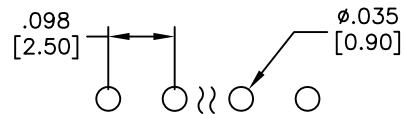
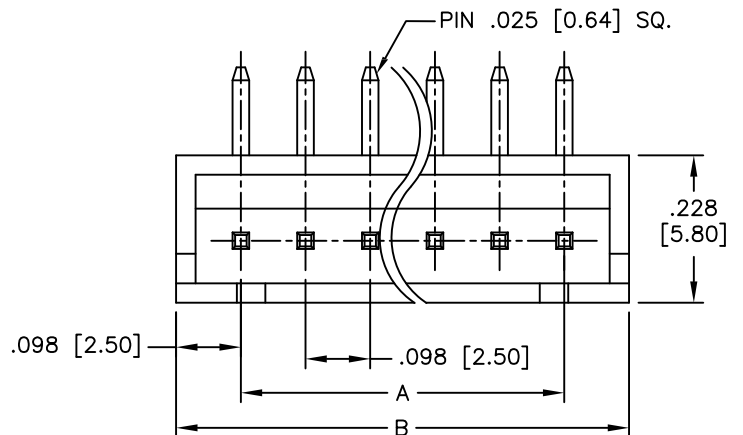
2

1

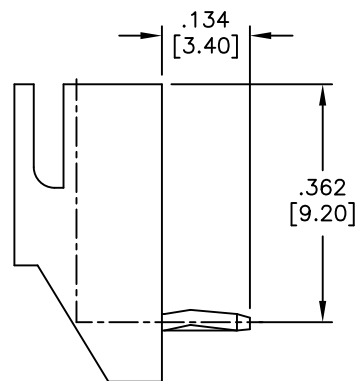
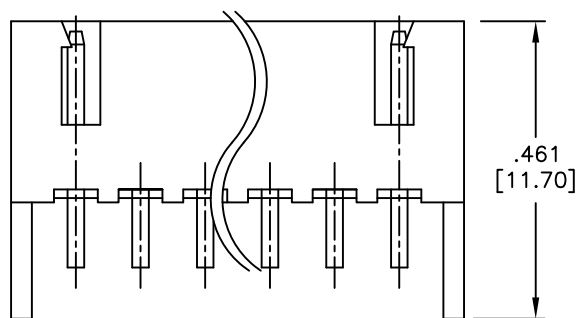
APPROVED: _____

DATE: _____ TITLE: _____

Rev	AWO #	Description	Date	Appr
-		RELEASED	12/17/09	
A		UPDATED 1 & B DIMENSIONS	1/15/15	



RECOMMENDED PCB LAYOUT



SPECIFICATIONS:

Material:
Insulator: Nylon 66, rated UL 94V-0
Insulator color: White

Contacts: Brass
Plating:
Tin over Copper underplate overall

Electrical:
Operating voltage: 250V AC, DC
Current rating: 3A AC, DC
Insulation resistance: 1,000 Mohms min
Dielectric withstanding voltage: 1000 VAC for 1 minute

Temperature Rating:
Operating temperature: -25°C to +85°C

Environmental:
Lead free, RoHS compliant



Positions: 2 thru 20

A = .098 [2.50] x No. of Spaces.

B = .098 [2.50] x No. of Spaces + .098 [2.50]

UNLESS OTHERWISE SPECIFIED
ALL DIMENSIONS ARE INCHES [MM]
TOLERANCES: EXCEPT AS NOTED
INCHES HOLES
.X ± .10 ∅.X ± .10
.XX ± .020 ∅.XX ± .015
.XXX ± .015 ∅.XXX ± .010

ADAM TECH

909 Rahway Avenue, Union, NJ 07083
Phone: 908-687-5000 Fax: 908-687-5710

TITLE
.098 [2.50] SHROUDED HEADER
RIGHT ANGLE, PCB

APPROVALS		DATE
DRAWN	DY	12/17/09
CHECKED		
APPROVED		

SIZE	PART NO.	REV.
X	25SH-B-XX-TR	A
REF: S00016T	SCALE: NTS	SHEET 1 OF 1

6

5

4

3

2

1