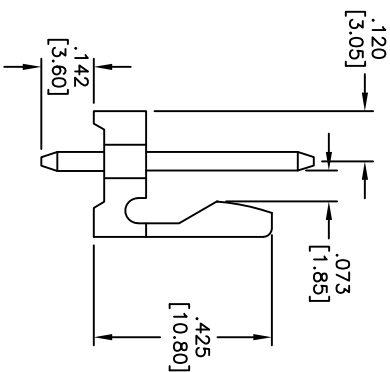
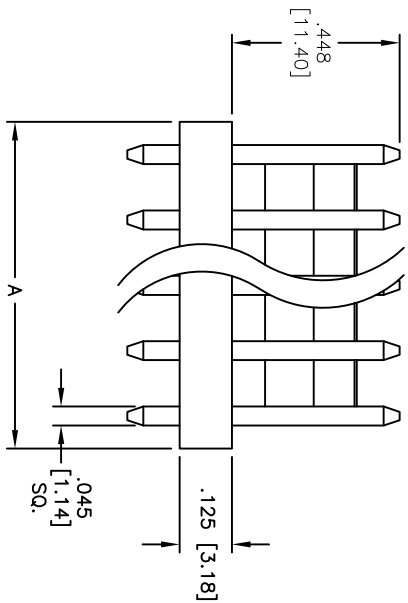
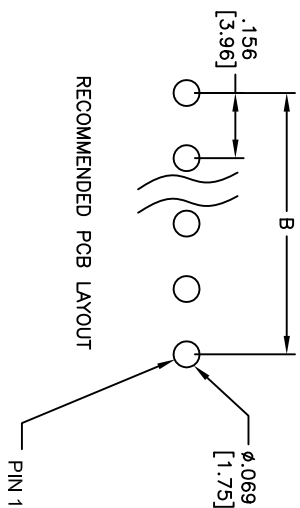
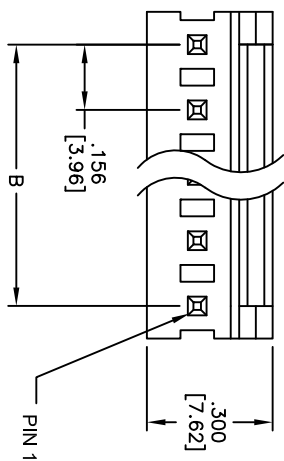


APPROVED: _____
 DATE: _____ TITLE: _____

Rev	AWO #	Description	Date	Appr
-		RELEASED	1/4/09	
A		REDRAWN	10/7/10	



SPECIFICATIONS:

Material: Nylon PA66, rated UL 94V-2
 Insulator color: White
 Contacts: Brass
 Plating: Tin over Copper underplate overall
 Electrical:
 Current rating: 7 Amps max
 Contact Resistance: 20 mohms max.
 Insulation resistance: 1,000 Mohms min
 Dielectric withstanding voltage: 1,000 VAC for 1 minute
 Temperature Rating: Operating temperature: -40°C to +85°C
 Environmental: Lead free, RoHS compliant

Positions: 2 thru 20
 A = .156 [3.96] x No. of Positions
 B = .156 [3.96] x No. of Spaces

UNLESS OTHERWISE SPECIFIED
 ALL DIMENSIONS ARE INCHES [MM]
 TOLERANCES: EXCEPT AS NOTED
 INCHES Holes ±.10
 .X ±.10
 .XX ±.020
 .XXX ±.015
 .XXX ±.010

APPROVALS: DATE

DRAWN	SS	1/4/09
CHECKED		
APPROVED		

TITLE: .156 [3.96] HEADER, STRAIGHT

ADAM TECH
 909 Railway Avenue, Union, NJ 07083
 Phone: 908-687-5000 Fax: 908-687-5710

SIZE	PART NO.	REV.
X	LHD-XX-TS	A
REF:	S00019C	SHEET 1 OF 1
SCALE:	NIS	

