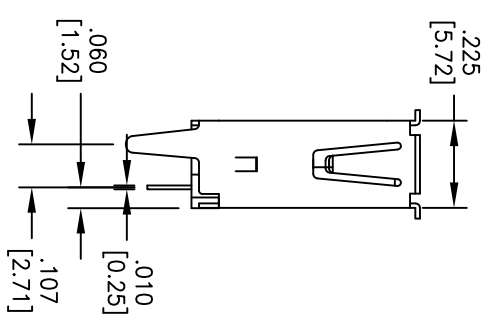
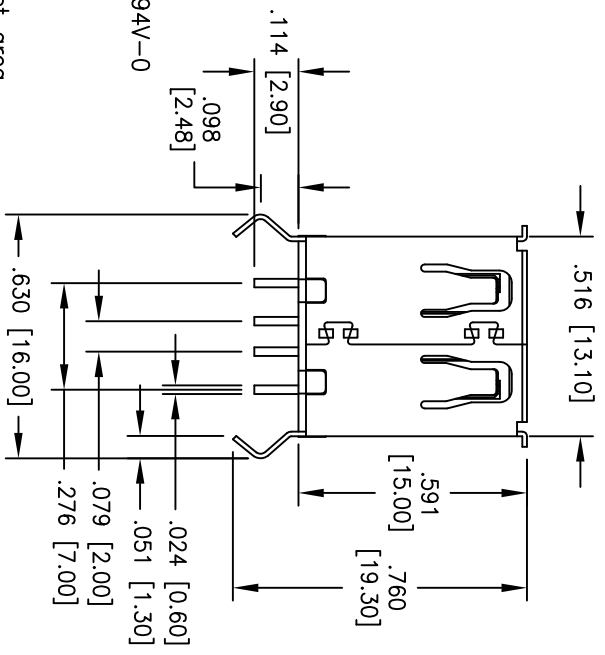
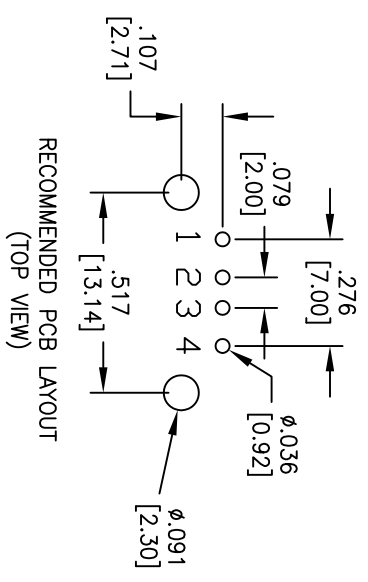
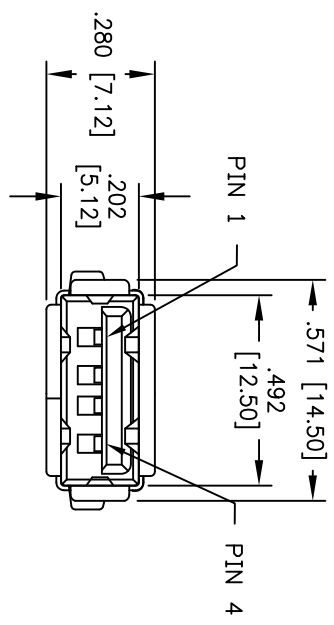


APPROVED: _____
 DATE: _____ TITLE: _____

Rev	AWO #	Description	Date	Appr
-		RELEASED	12/3/04	
A		REDRAWN	7/02/09	
B		REVISED DIM.	5/30/11	
C		REVISED SPEC.	12/22/11	



Material:
 Insulator: PBT, Glass filled, rated UL 94V-0
 Insulator color: Black
 Contacts: Brass
 Shell: Brass, nickel plated
 Plating:
 Gold over Nickel underplate on contact area,
 Tin over Copper underplate on PCB tails
Electrical:
 Operating voltage: 30 VAC max.
 Current rating: 1.5 Amp max @ 250V AC.
 Contact resistance: 30 mohms max.
 Insulation resistance: 1000 Mohms min.
 Dielectric withstanding voltage: 500 VAC for 1 minute
Temperature Rating:
 Operating temperature: -20°C to +60°C
Environmental:
 Lead free, RoHS compliant.

UNLESS OTHERWISE SPECIFIED ALL DIMENSIONS ARE INCHES [MM]	
TOLERANCES: EXCEPT AS NOTED	
INCHES	HOLES
.X ± .10	ØXX ± .10
.XX ± .020	ØXXX ± .015
.XXX ± .015	ØXXXX ± .010
APPROVALS	
DATE	
DRAWN	SS
CHECKED	
APPROVED	
	10/4/04

ADAM TECH
 909 Railway Avenue, Union, NJ 07083
 Phone: 908-687-5000 Fax: 908-687-5710

TITLE: UNIVERSAL SERIAL BUS
 SINGLE PORT, VERTICAL, PCB

SIZE: X
 PART NO.: USB-A-S-VT
 REF: S0005C

SCALE: NTS
 SHEET 1 OF 1