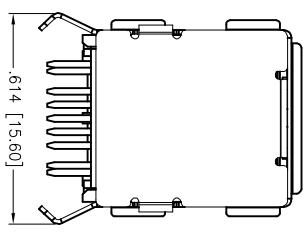
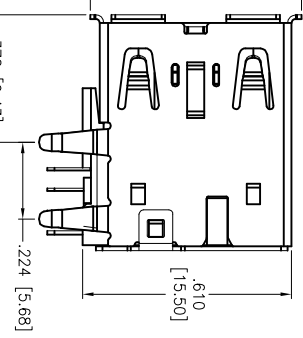
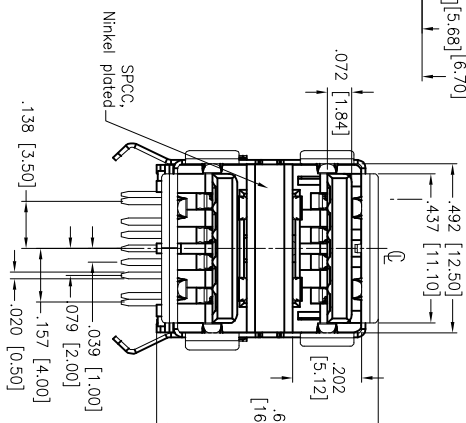
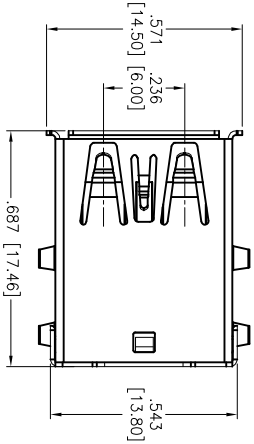
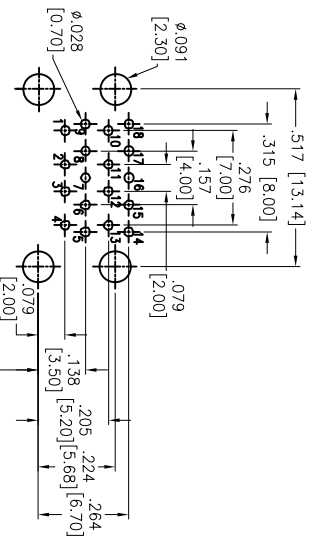


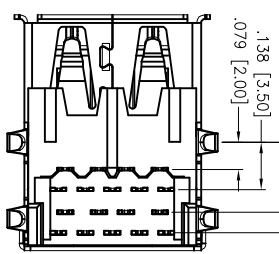
APPROVED: _____ DATE: _____ TITLE: _____

Rev	AWO #	Description	Date	Appr
-		RELEASED	8/20/13	
A		Added USB 3.0 Compliant Note	09/23/16	



RECOMMENDED PCB LAYOUT

SPECIFICATIONS:
 Material: Insulator: PBT, Glass reinforced, rated UL 94V-0
 Insulator color: Blue
 Contacts: Copper Alloy
 Shell: Brass, Nickel plated
 Back Cover: SUS
 Plating:
 Gold over Nickel underplate on contact area,
 Tin over Copper underplate on solder tails.
 Electrical:
 Current rating: 1.8 Amp Pin 1 & Pin 4,
 0.25 Amp Other Contacts
 Contact resistance: 30 mΩ max Pin 1 & Pin 4,
 50 mΩ max Other Contacts.
 Insulation resistance: 100 Mohms min.
 Dielectric withstanding voltage: 100 VAC for 1 minute
 Mechanical:
 Mating Force: 35N Max.
 Un-mating Force: 10N Min.
 Durability: 1,500 Mating Cycles
 Temperature Rating:
 Operating temperature: 55°C to +85°C
 Environmental:
 Lead free, RoHS compliant.



Pin Number	Signal Name	Pin Number	Signal Name
1/10	VBUS	5/14	SSRX-
2/11	D-	6/15	SSRX+
3/12	D+	7/16	GND
4/13	GND	8/17	SSTX-
	Shield	9/18	SSTX+

Compliant to USB 3.0 Standard

ADAM TECH
 909 Railway Avenue, Union, NJ 07083
 Phone: 908-687-5000 Fax: 908-687-5710

UNIVERSAL SERIAL BUS, TYPE A 3.0, RIGHT ANGLE, DUAL PORT



UNLESS OTHERWISE SPECIFIED ALL DIMENSIONS ARE MM		TITLE	
TOLERANCES: EXCEPT AS NOTED		UNIVERSAL SERIAL BUS, TYPE A 3.0, RIGHT ANGLE, DUAL PORT	
INCHES		DATE	
.X ± .10	ØX ± .10	8/20/13	
.XX ± .020	ØXX ± .015	DRAWN AY	
.XXX ± .015	ØXXX ± .010	CHECKED GH	
APPROVALS		APPROVED	
SIZE	PART NO.	SCALE	REV.
X	USB-A3-D-RA-A	NIS	A
REF: S00097C	SCALE: NIS	SHEET 1 OF 1	