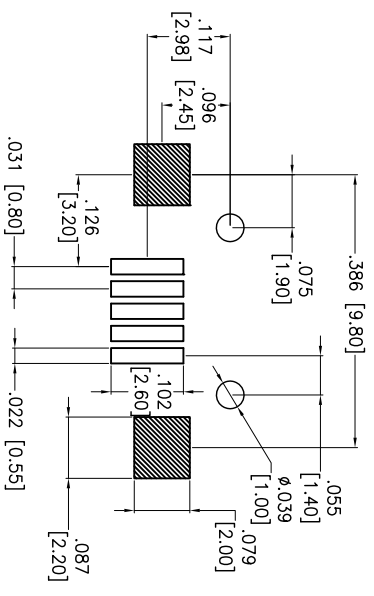
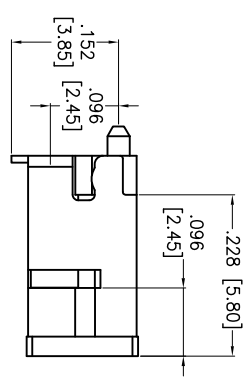
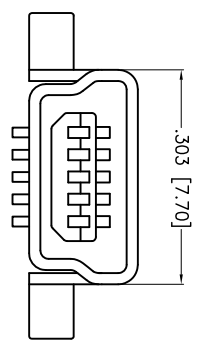
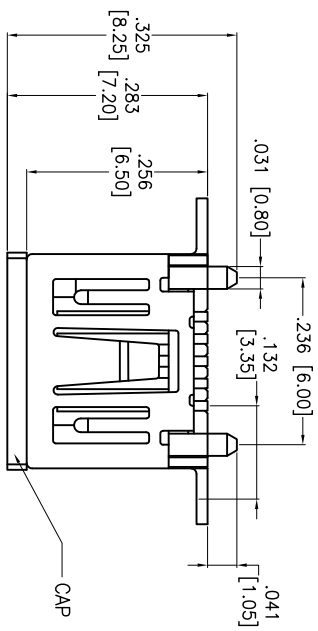
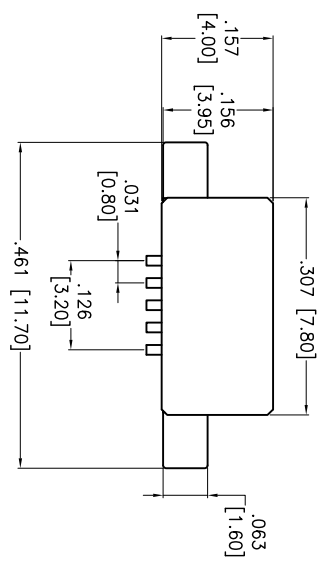


Rev	AWO #	Description	Date	Appr
-		RELEASED	12/19/08	

APPROVED: _____
 DATE: _____ TITLE: _____



RECOMMENDED PCB LAYOUT



SPECIFICATIONS:

- Material: Insulator: LCP, rated UL 94V-0
- Insulator color: Black
- Contacts: Phosphor Bronze
- Shell: Brass
- Plating: Gold Flash over Nickel underplate on contact area, Tin over Copper underplate on PCB tails.
- Electrical: Rating: 5V/ 1A
- Contact resistance: 30 Mohms max
- Insulation resistance: 100 Mohms min @ DC 500V
- Dielectric withstanding voltage: 100 VAC for 1 minute
- Environmental: Lead free, RoHS compliant.

A

UNLESS OTHERWISE SPECIFIED
 ALL DIMENSIONS ARE MM
 TOLERANCES: EXCEPT AS NOTED

APPROVALS	DATE
DRAWN	DY
CHECKED	
APPROVED	

XX ± 0.25
 .XXX ± 0.20

ADAM TECH

909 Railway Avenue, Union, NJ 07083
 Phone: 908-687-5000 Fax: 908-687-5710

MINI USB, TYPE B, 5PIN, VERTICAL, SMT

SIZE	PART NO.	REV.
X	MUSB-B5-S-VT-TSMT	-

REF: S00009T SCALE: NTS SHEET 1 OF 1

A

B

C

D

6

5

4

3

2

1

