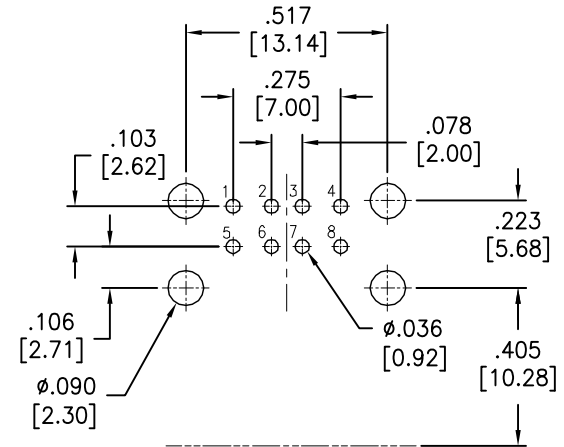
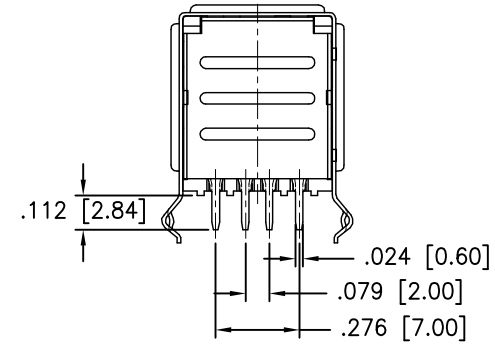
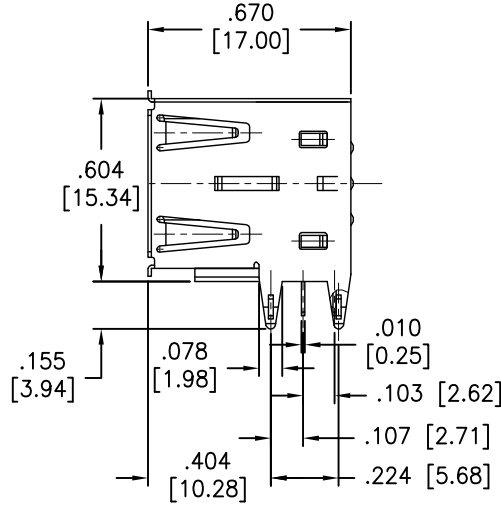
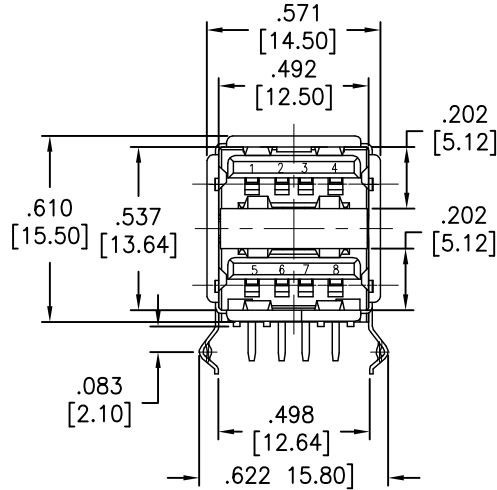


APPROVED: _____
 DATE: _____ TITLE: _____

| Rev | AWO # | Description | Date | Appr |
|-----|-------|---------------|---------|-------|
| - | | RELEASED | 4/12/16 | |
| A | | UPDATED SPEC. | 7/21/16 | HR/MY |



RECOMMENDED PCB LAYOUT

SPECIFICATIONS:

Material:
 Insulator: Hi-temp thermoplastic, rated UL 94V-0
 Insulator color: Black
 Contacts: Copper Alloy
 Shell: Steel/Copper, Nickel plated
 Plating:
 Gold flash over Nickel underplate on contact area,
 Tin over Copper underplate on PCB tails
 Electrical:
 Voltage rating: 30 VAC
 Current rating: 1 Amp
 Contact resistance: 30 mohms max.
 Insulation resistance: 1,000 Mohms min.
 Dielectric withstanding voltage: 500 VAC for 1 minute
 Temperature Rating:
 Operating temperature: -20°C to +60°C
 Environmental:
 Lead free, RoHS compliant.



PACKAGED ON TAPE & REEL

| | | |
|---|--------------|---------|
| UNLESS OTHERWISE SPECIFIED ALL DIMENSIONS ARE INCHES [MM] TOLERANCES: EXCEPT AS NOTED | | |
| INCHES | | HOLES |
| .X ± .10 | Ø.X ± .10 | |
| .XX ± .020 | Ø.XX ± .015 | |
| .XXX ± .015 | Ø.XXX ± .010 | |
| APPROVALS | | DATE |
| DRAWN | AY | 4/12/16 |
| CHECKED | OC | 4/12/16 |
| APPROVED | | |

ADAM TECH
 909 Rahway Avenue, Union, NJ 07083
 Phone: 908-687-5000 Fax: 908-687-5710

TITLE: UNIVERSAL SERIAL BUS, HI-TEMP
 DUAL PORT, RIGHT ANGLE, PCB

SIZE: X PART NO.: USB-A-D-RA-HT-T/R REV.: A

REF: S00005C SCALE: NTS SHEET 1 OF 1