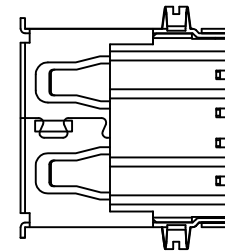
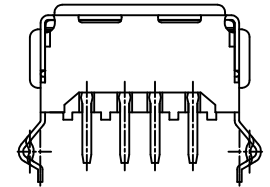
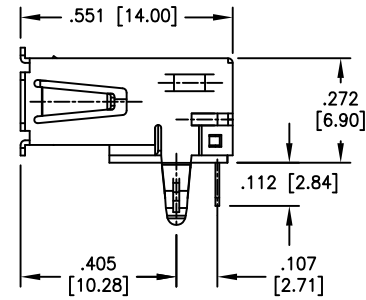
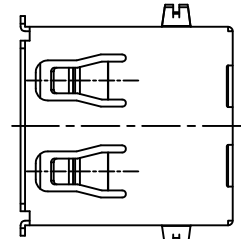
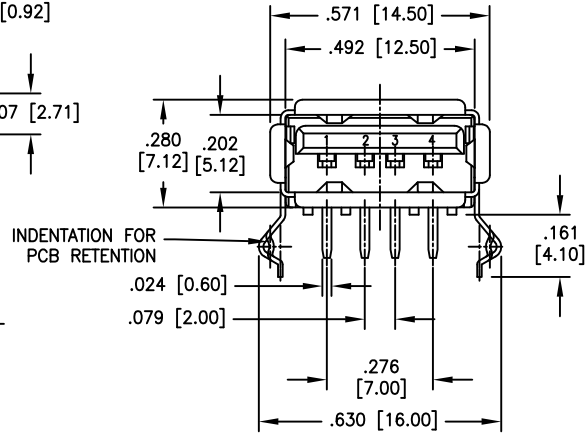
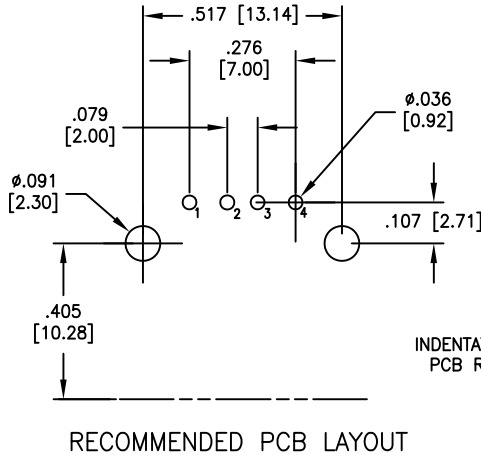


APPROVED: _____
 DATE: _____ TITLE: _____

| Rev | AWO # | Description | Date | Appr |
|-----|-------|---------------------------------|----------|-------|
| - | | RELEASED | 12/3/04 | |
| A | | RE-DESIGNED SHELL AND INSULATOR | 1/06/06 | |
| B | | ADDED DIM. | 01/23/13 | |
| C | | UPDATE SHAPE | 9/30/14 | AY/YC |
| D | | UPDATE CURRENT RATING | 12/22/15 | AY/SL |
| E | | UPDATE CURRENT RATING | 3/22/16 | AY/YC |



SPECIFICATIONS:

Material:
 Insulator: PBT, rated UL 94V-0
 Insulator color: Black
 Contacts: Copper Alloy
 Shell: Copper Alloy, Nickel plated
 Plating:
 30u" Gold over Nickel underplate on contact area,
 Tin over Copper underplate on PCB tails

Electrical:
 Voltage rating: 30 VAC
 Current rating: 1.5 Amp @ 250V AC
 Contact resistance: 30 mohms max.
 Insulation resistance: 1000 Mohms min. @ 500 VDC
 Dielectric withstanding voltage: 500 VAC
 Temperature Rating:
 Operating temperature: -20°C to +60°C

Environmental:
 Lead free, RoHS compliant.



| | | | |
|--|---------------|---|--------|
| UNLESS OTHERWISE SPECIFIED ALL DIMENSIONS ARE INCHES [MM] TOLERANCES: EXCEPT AS NOTED | | ADAM TECH 909 Rahway Avenue, Union, NJ 07083 Phone: 908-687-5000 Fax: 908-687-5710 | |
| INCHES: .X ± .10 .XX ± .020 .XXX ± .015 HOLES: Ø.X ± .10 Ø.XX ± .015 Ø.XXX ± .010 | | | |
| APPROVALS | | TITLE | |
| DATE | | UNIVERSAL SERIAL BUS SINGLE PORT, RIGHT ANGLE, PCB | |
| DRAWN | SS | 10/4/04 | |
| CHECKED | | | |
| APPROVED | | | |
| SIZE | PART NO. | REV. | |
| X | USB-A-S-RA-30 | E | |
| REF: | S00005C | SCALE: | NTS |
| | | SHEET | 1 OF 1 |