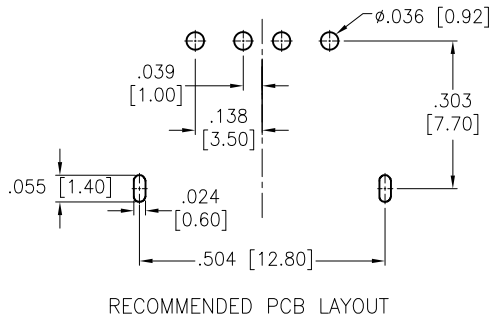
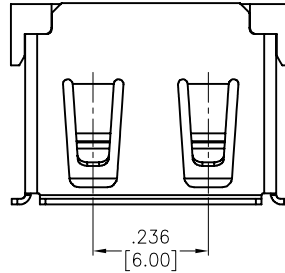
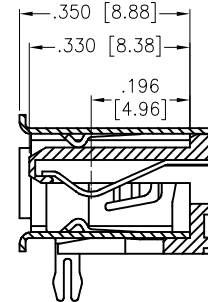
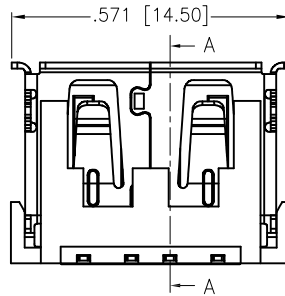
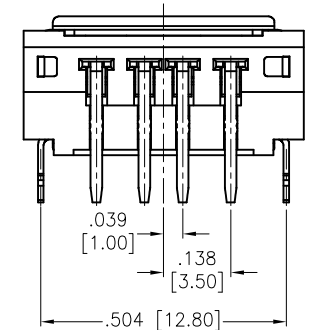
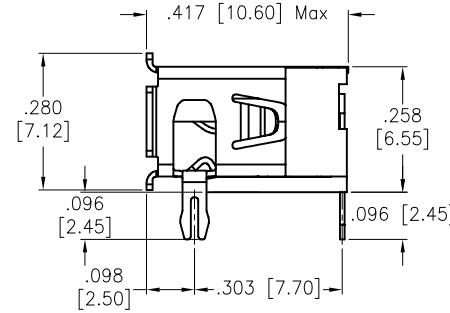
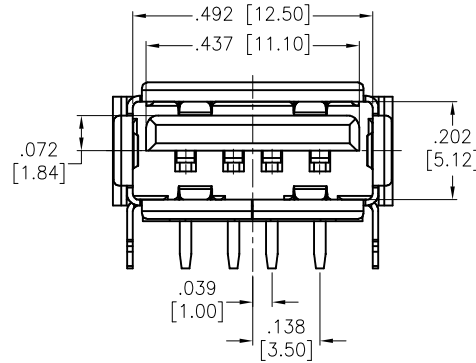


APPROVED: \_\_\_\_\_  
 DATE: \_\_\_\_\_ TITLE: \_\_\_\_\_

Rev	AWO #	Description	Date	Appr
-		RELEASED	8/7/12	
A		ADDED SPEC.	6/24/13	
B		REVISED SPEC.	1/8/15	AY/RT
C		REVISED SPEC.	8/17/17	AY/DH
D		REVISED SPEC.	6/20/19	AY/YC



RECOMMENDED PCB LAYOUT



SECTION A-A

**SPECIFICATIONS:**  
 Material:  
 Insulator: Hi-Temp Thermoplastic, rated UL 94V-0  
 Insulator color: Black  
 Contacts: Copper Alloy  
 Shell: Steel, Nickel plated  
 Plating:  
 Gold over Nickel underplate on contact area,  
 Tin over Nickel underplate on PCB tails.  
 Electrical:  
 Current rating: 2.5A.  
 Voltage rating: 30V AC/DC.  
 Contact resistance: 30 mohms max.  
 Insulation resistance: 1000 Mohms min  
 Dielectric withstanding voltage: 500 VAC for 1 minute  
 Mechanical:  
 Insertion force: 35 Newtons max  
 Extraction force: 10 Newtons min  
 Temperature Rating:  
 -40°C to +105°C  
 Environmental:  
 Lead free, RoHS compliant.



UNLESS OTHERWISE SPECIFIED  
 ALL DIMENSIONS ARE INCHES [MM]  
 TOLERANCES: EXCEPT AS NOTED

INCHES		HOLES	
.X	± .10	∅X	± .10
.XX	± .020	∅XX	± .015
.XXX	± .015	∅XXX	± .010

APPROVALS		DATE
DRAWN	AY	8/7/12
CHECKED	AH	8/7/12
APPROVED		

**ADAM TECH**  
 INTERCONNECTS  
 909 Rahway Avenue,  
 Union, NJ 07083  
 Phone: 908-687-5000  
 Fax: 908-687-5710

TITLE UNIVERSAL SERIAL BUS, TYPE A, PCB RIGHT ANGLE, BOARD LOCKS		
SIZE X	PART NO. USB-A-S-RA-BL-CS1-HT	REV. D
REF: S00217T	SCALE: NTS	SHEET 1 OF 1