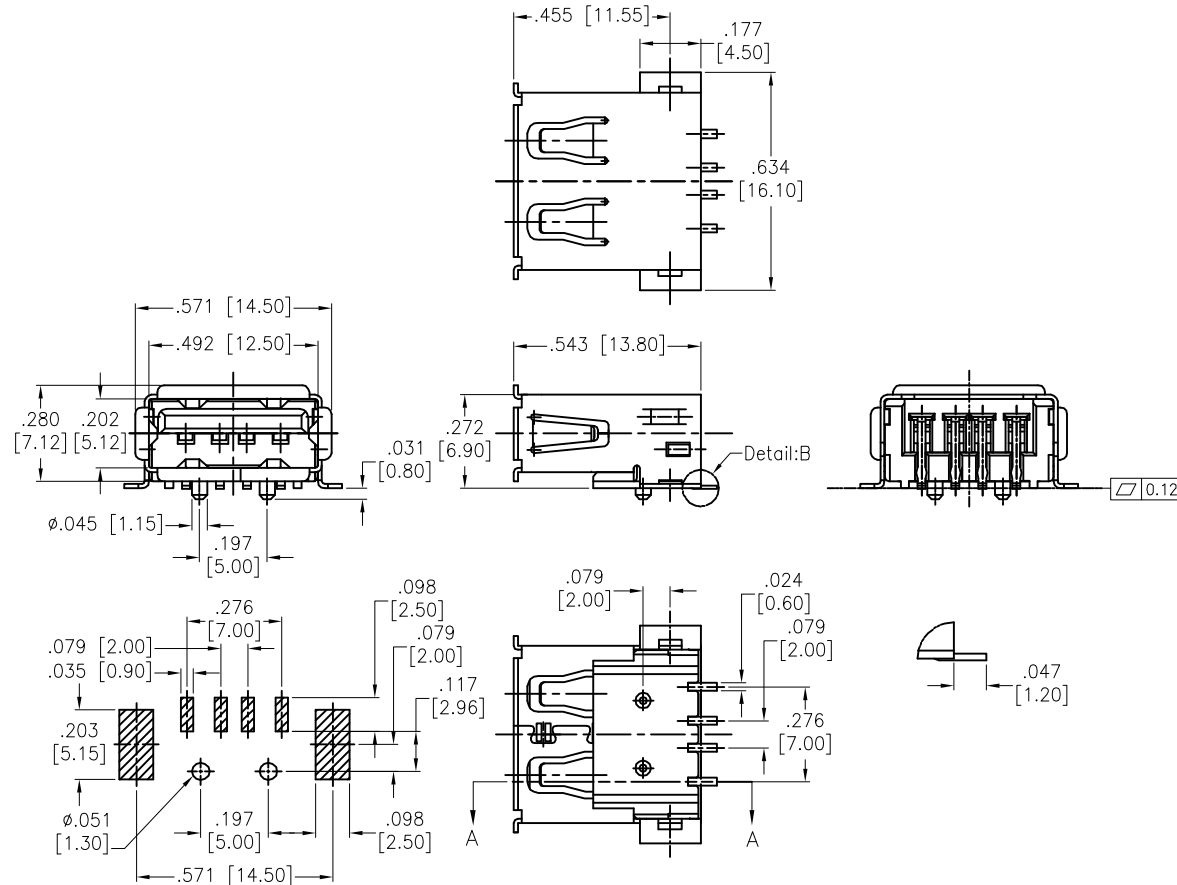


APPROVED: \_\_\_\_\_  
 DATE: \_\_\_\_\_ TITLE: \_\_\_\_\_

Rev	AWO #	Description	Date	Appr
-		RELEASED	8/31/15	
A		ED-20151008-ECN-01	10/8/15	AY/NC
B		UPDATE DRAWING	3/15/21	LH/TY



**SPECIFICATIONS:**  
 Material:  
 Insulator: LCP, rated UL 94V-0  
 Insulator color: Black  
 Contacts: Brass  
 Shell: Copper Alloy, nickel/Tin plated  
 Contact Plating:  
 Gold flash over Nickel on mating area,  
 Tin over Copper underplate on tails.  
 Electrical:  
 Voltage rating: 30 VAC max.  
 Current rating: 1.5 Amp @250 VAC  
 Contact resistance: 30 mohms max.  
 Insulation resistance: 1000 Mohms min.  
 Dielectric withstanding voltage: 500 VAC for 1 minute  
 Mechanical:  
 Insertion force: 35 Newtons max.  
 Withdrawal force: 10 Newtons min.  
 Temperature Rating:  
 -40°C to +85°C  
 Environmental:  
 Lead free, RoHS compliant.



UNLESS OTHERWISE SPECIFIED  
 ALL DIMENSIONS ARE INCHES [MM]  
 TOLERANCES: EXCEPT AS NOTED

INCHES		HOLES	
.X	± .10	Ø.X	± .10
.XX	± .020	Ø.XX	± .015
.XXX	± .015	Ø.XXX	± .010

**ADAM  
 TECH**

909 Rahway Avenue,  
 Union, NJ 07083  
 Phone: 908-687-5000  
 Fax: 908-687-5710

APPROVALS		DATE
DRAWN	AY	8/31/15
CHECKED	NC	8/31/15
APPROVED		

TITLE USB TYPE A, RIGHT ANGLE, TRUE SURFACE MOUNT		
SIZE X	PART NO. USB-A-S-RA-TSMT-LCP	REV. B
REF: S00005C	SCALE: NTS	SHEET 1 OF 1