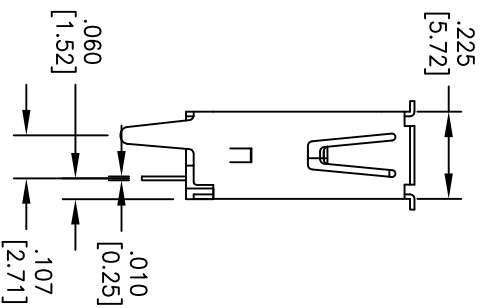
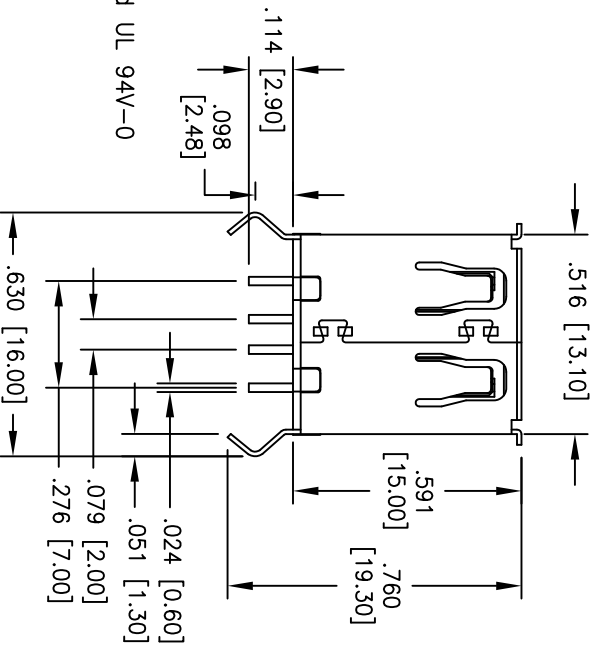
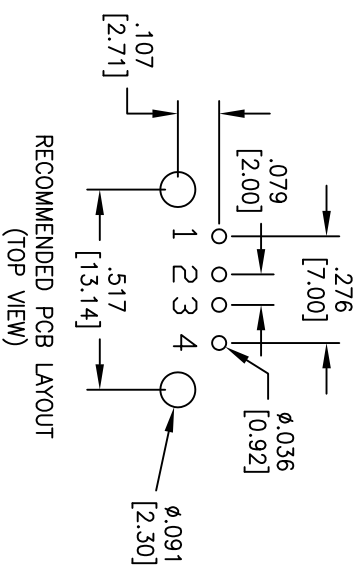
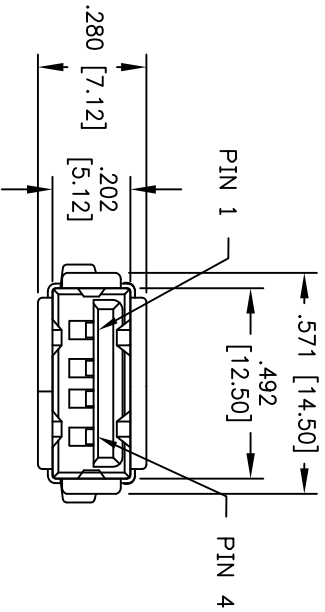


APPROVED: \_\_\_\_\_ TITLE: \_\_\_\_\_  
 DATE: \_\_\_\_\_

Rev	AWO #	Description	Date	Appr
-		RELEASED	4/08/10	
A		REVISED DIM.	5/30/11	
B		REVISED SPEC.	12/22/11	
C		REVISED SPEC.	7/13/15	AV/KW



**SPECIFICATIONS:**  
 Material: Insulator: Hi-temp thermoplastic, rated UL 94V-0  
 Insulator color: Black  
 Contacts: Brass  
 Shell: Brass, nickel plated  
 Plating: Gold over Nickel underplate on contact area, Tin over Copper underplate on PCB tails

**Electrical:**  
 Operating voltage: 30 VAC max.  
 Current rating: 1.5 Amp max @ 250V AC.  
 Contact resistance: 30 mohms max.  
 Insulation resistance: 1000 Mohms min.  
 Dielectric withstanding voltage: 500 VAC for 1 minute  
 Temperature Rating: Operating temperature: -40°C to +85°C  
 Environmental: Lead free, RoHS compliant.

UNLESS OTHERWISE SPECIFIED ALL DIMENSIONS ARE INCHES [MM] TOLERANCES: EXCEPT AS NOTED		ADAM TECH 909 Rahway Avenue, Union, NJ 07083 Phone: 908-687-5000 Fax: 908-687-5710	
INCHES X ± .10 .XX ± .020 .XXX ± .015		HOLES ØX ± .10 ØXX ± .015 ØXXX ± .010	
APPROVALS		TITLE UNIVERSAL SERIAL BUS SINGLE PORT, VERTICAL, PCB	
DRAWN	DY	DATE	4/08/10
CHECKED		SIZE	PART NO.
APPROVED		X	USB-A-S-VT-HT
REF: S00050C		SCALE: NTS	SHEET 1 OF 1