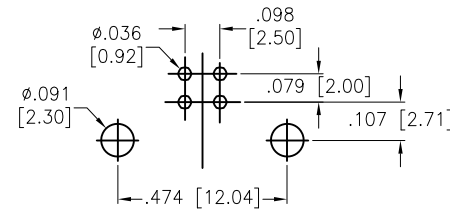
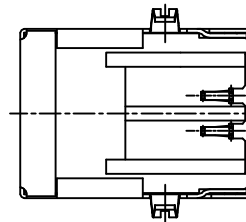
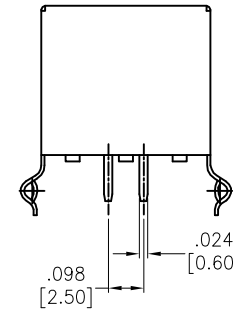
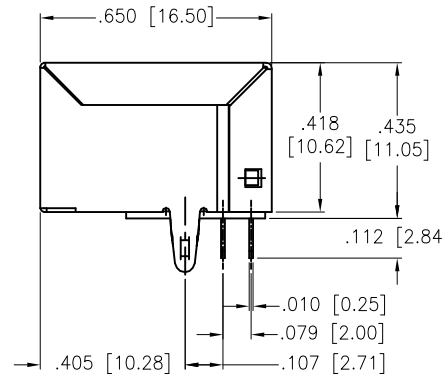
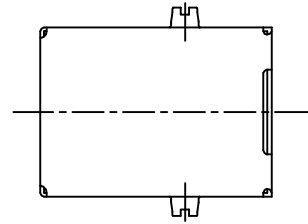
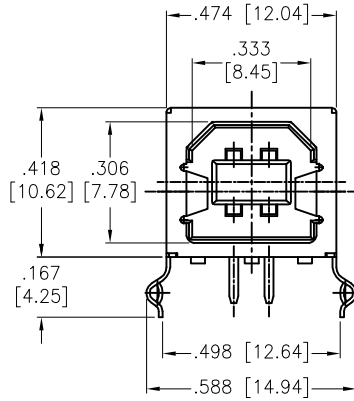


APPROVED: _____
 DATE: _____ TITLE: _____

Rev	AWO #	Description	Date	Appr
-		RELEASED	2/7/07	
A		UPDATED DRAWING	12/13/17	HR/YC



RECOMMENDED PCB LAYOUT

SPECIFICATIONS:

Material:
 Insulator: Hi-Temp Thermoplastic, rated UL 94V-0
 Insulator color: Black
 Contacts: Brass
 Shell: Brass, Nickel plated
 Plating:
 Gold Flash over Nickel underplate on contact area
 Electrical:
 Voltage rating: 30 V
 Current rating: 1.5 Amp @ 250 VAC
 Contact resistance: 30 mohms max
 Insulation resistance: 1,000 Mohms min
 Dielectric withstanding voltage: 500 VAC
 Temperature Rating:
 -20°C to +85°C
 Environmental:
 Lead free, RoHS compliant



UNLESS OTHERWISE SPECIFIED ALL DIMENSIONS ARE INCHES [MM] TOLERANCES: EXCEPT AS NOTED	
INCHES	HOLES
.X ± .10	Ø.X ± .10
.XX ± .020	Ø.XX ± .015
.XXX ± .015	Ø.XXX ± .010
APPROVALS	
DRAWN	DATE
SS	2/7/07
CHECKED	
APPROVED	

ADAME
TECH
INTERCONNECTS

909 Rahway Avenue,
 Union, NJ 07083
 Phone: 908-687-5000
 Fax: 908-687-5710

TITLE USB, TYPE B, SINGLE PORT, RIGHT ANGLE, THRU-HOLE, GOLD FLASH, HI-TEMP		
SIZE X	PART NO. USB-B-S-RA-HT	REV. A
REF: S00005C	SCALE: NTS	SHEET 1 OF 1

6

5

4

3

2

1

D

D

C

C

B

B

A

A

6

5

4

3

2

1