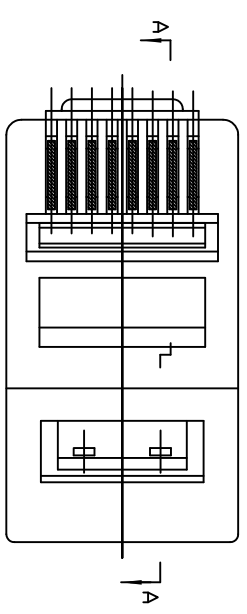
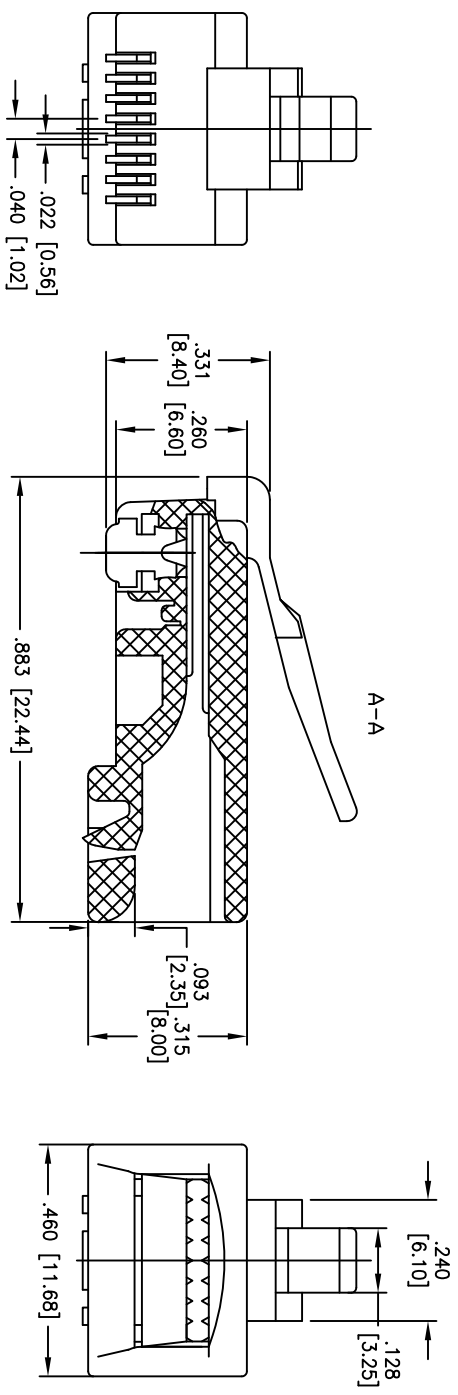


Rev	AWO #	Description	Date	Appr
-		RELEASED	9/27/10	

APPROVED: _____
 DATE: _____ TITLE: _____



"X"	GOLD PLATING
U	15 µin
W	30 µin
G	50 µin

REPLACE "X" IN PART NUMBER WITH GOLD THICKNESS DESIGNATOR Reference.

SPECIFICATIONS:

- Material: Polycarbonate, rated UL 94V-0
- Insulator color: Clear
- Contacts: Phosphor Bronze
- Plating: Gold over Nickel underplate overall, See chart for thickness
- Electrical:
 - Operating voltage: 150 VAC max
 - Current rating: 1.5 Amps max
 - Insulation resistance: 1000 Mohms min @ 500 VDC
 - Dielectric withstanding voltage: 1000 VAC for 1 minute
 - Temperature Rating: Operating temperature: -65°C to +125°C
- Environmental: Lead free, RoHS compliant.



ADAM TECH

909 Railway Avenue, Union, NJ 07083
 Phone: 908-687-5000 Fax: 908-687-5710

MODULAR TELEPHONE PLUG, 8P8C, CAT5e

UNLESS OTHERWISE SPECIFIED ALL DIMENSIONS ARE INCHES [MM]		TOLERANCES: EXCEPT AS NOTED	
INCHES	HOLDS	INCHES	HOLDS
.X ± .10	Ø.X ± .10	.XX ± .020	Ø.XX ± .015
.XXX ± .015	Ø.XXX ± .010		
APPROVALS	DATE	TITLE	
DRAWN AY	9/27/10	SIZE	PART NO.
CHECKED VW	9/27/10	X	MTPR-88-X
APPROVED		REF:	S00005C
		SCALE:	NTS
		SHEET	1 OF 1