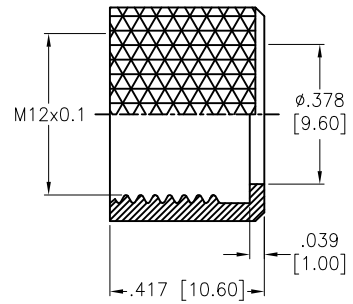
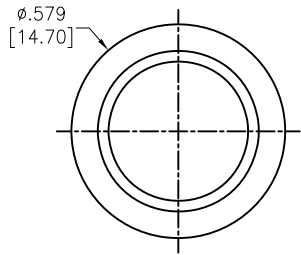
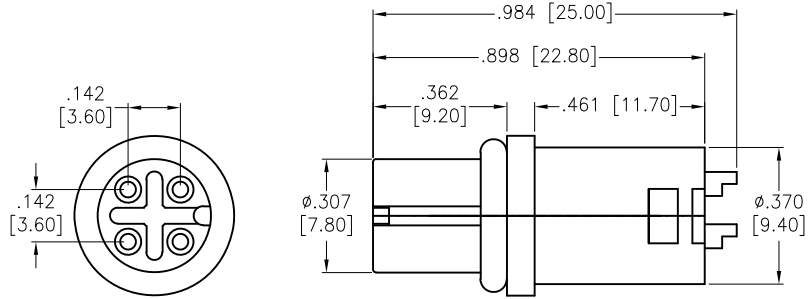
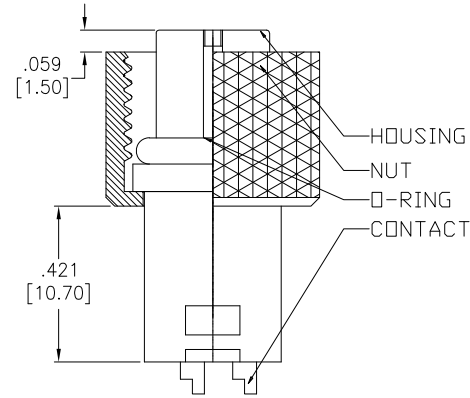


APPROVED: _____
 DATE: _____ TITLE: _____

Rev	AWO #	Description	Date	Appr
-		RELEASED	5/19/17	
A		UPDATE DRAWING	9/5/19	LH/RC



NUT



SD-PMA02-FFTS	SD-PMA02A-FFTS
SD-PMA03-FFTS	SD-PMA03A-FFTS
SD-PMA04-FFTS	SD-PMA05-FFTS

SPECIFICATIONS:

Material:
 Housing: PBT, rated UL 94V-0, Color: Black
 Contacts: Brass, 10u" Gold plated
 Nut: Brass, Nickel plated
 O-ring: EPDM, Color: Black
 Electrical:
 Voltage: 2~4 PIN: 250 V
 5 PIN: 60 V
 Current rating: 4 A
 Water Proof: IPX7
 Temperature Rating:
 Operating temperature: -40°C to +85°C
 Environmental:
 Lead free, RoHS compliant.



UNLESS OTHERWISE SPECIFIED
 ALL DIMENSIONS ARE INCHES [MM]
 TOLERANCES: EXCEPT AS NOTED

INCHES		HOLES	
.X	± .10	Ø.X	± .10
.XX	± .020	Ø.XX	± .015
.XXX	± .015	Ø.XXX	± .010

ADAM TECH INTERCONNECTS
 909 Rahway Avenue,
 Union, NJ 07083
 Phone: 908-687-5000
 Fax: 908-687-5710

APPROVALS		DATE
DRAWN	HR	5/19/17
CHECKED	CK	5/19/17
APPROVED		

TITLE		
WATERPROOF CONNECTOR, FEMALE, M12, A-CODING, SEMI-FINISHED PRODUCT, UNSHIELDED		
SIZE	PART NO.	REV.
X	SD-PMAXX-FFTS	A
REF: S00298T	SCALE: NTS	SHEET 1 OF 1