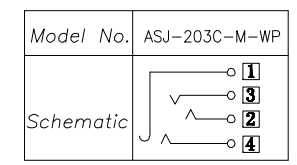
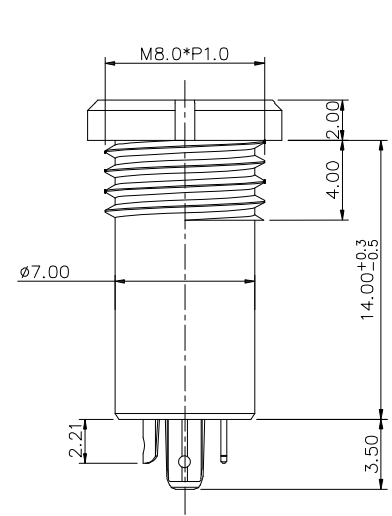
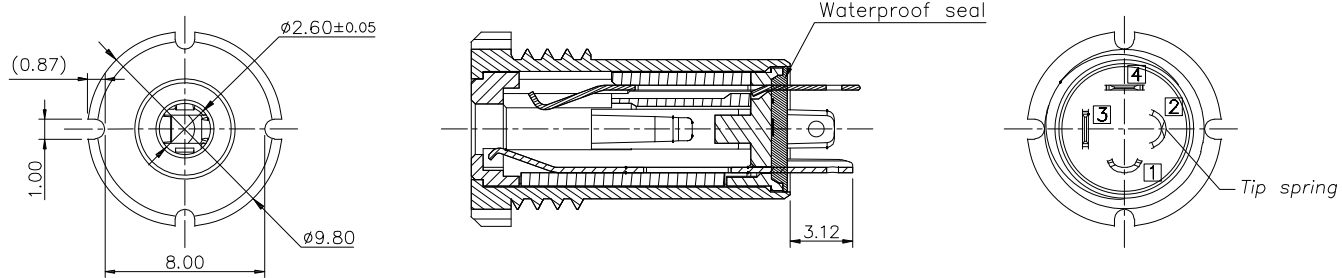
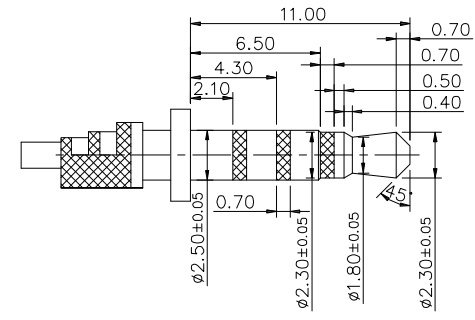


APPROVED: _____
 DATE: _____ TITLE: _____

Rev	AWO #	Description	Date	Appr
-		RELEASED	4/2/19	
A		ADDED SPEC.	4/23/19	OW/AC
B		CHANGED TITLE	12/2/19	SS



Circuit Diagram □: Terminal No.



RECOMMENDED PLUG
 $\phi 2.5$ 4-POLE STANDARD PLUG

SPECIFICATIONS:
 Material:
 Housing: (PA10T) Hi-Temp Thermoplastic, reated UL94V-0, Color: Black
 Spring: Phosphor Bronze, Silver plated
 Tip Spring: Steel Alloy, Silver plated
 Bushing: Copper Alloy, Nickel plated
 Electrical:
 Rating: 30VDC, 0.5A
 Contact Resistance: 100 mohm max.
 Insulation Resistane: 100 Mohm min. @ 500 VDC
 Dielectric withstanding voltage: 500 VAC
 Temperature Rating:
 Operating temperature: -20°C to +70°C
 Environmental:
 Waterproof Resistant
 Lead free, RoHS compliant.



UNLESS OTHERWISE SPECIFIED ALL DIMENSIONS ARE MILLIMETERS TOLERANCES: EXCEPT AS NOTED		
MM	ANGLES	
.X ± 0.38	X ± 5°	
.XX ± 0.30	.X ± 3°	
.XXX ± 0.15	.XX ± 2°	
APPROVALS		DATE
DRAWN	OW	4/2/19
CHECKED	AC	4/2/19
APPROVED		

ADAM TECH INTERCONNECTS 909 Rahway Avenue,
 Union, NJ 07083
 Phone: 908-687-5000
 Fax: 908-687-5710

TITLE: STEREO JACK, 2.5mm, WATER RESISTANT

SIZE X	PART NO. ASJ-203C-M-WP	REV. B
REF: S00002C	SCALE: NTS	SHEET 1 OF 1