

6

5

4

3

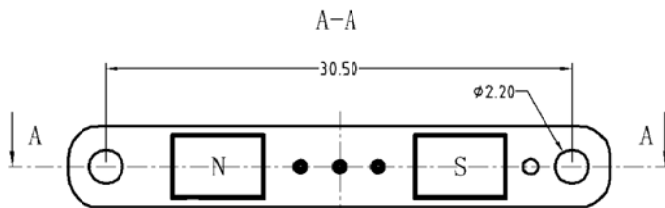
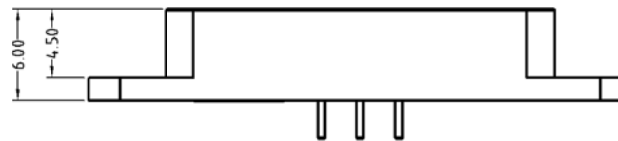
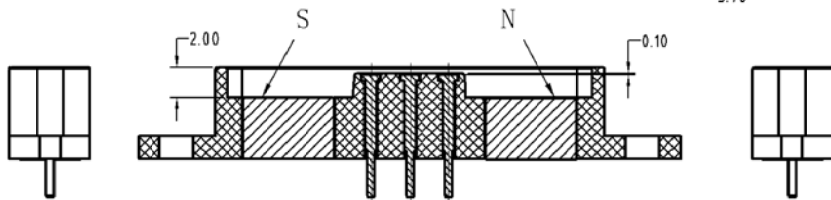
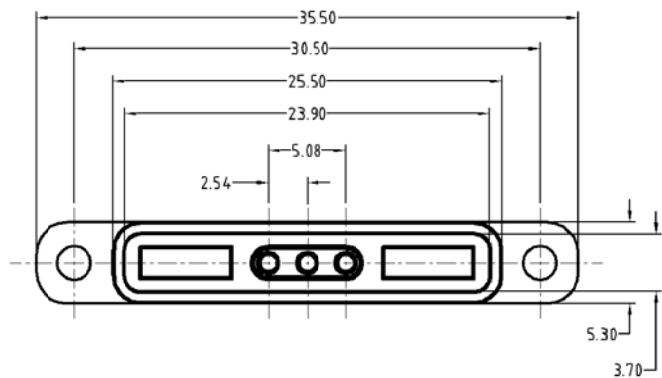
2

1

APPROVED: \_\_\_\_\_

DATE: \_\_\_\_\_ TITLE: \_\_\_\_\_

Rev	AWO #	Description	Date	Appr
-		RELEASED	7/10/18	



SPECIFICATIONS:

Material:  
 Insulator: HTN, rated UL 94V-0  
 Insulator color: Black  
 Contact: Pogo pin, 5u" Gold plated  
 Magnet: N52 NdFeB, Ni-Cu-Ni plated  
 Electrical:  
 Rating Current & Voltage rating: 12VDC, 3A  
 Contact resistance: 50 mohms max  
 Environmental:  
 Lead free, RoHS compliant.



Mating with: CA-RA3-PH1-25D5-M

UNLESS OTHERWISE SPECIFIED ALL DIMENSIONS ARE MILLIMETERS TOLERANCES: EXCEPT AS NOTED		<b>ADAM TECH</b> INTERCONNECTS		909 Rahway Avenue, Union, NJ 07083 Phone: 908-687-5000 Fax: 908-687-5710	
MM	ANGLE				
0~6 ± 0.10		<b>TITLE</b> 2.54MM PITCH POGO PIN, FEMALE, 3P SINGLE ROW, MAGNET, STRAIGHT			
6~30 ± 0.20	±2°				
30~150 ± 0.30		APPROVALS		DATE	
DRAWN	HR			7/10/18	
CHECKED	LW			7/10/18	
APPROVED					
SIZE X	PART NO. PH1-3L-03-FVMP-4560	REV. -			
REF: S00170C	SCALE: NTS	SHEET 1 OF 1			

6

5

4

3

2

1