

# ADAME TECH



MODULAR  
& MAGNETIC JACKS

**MOST POPULAR CONFIGURATIONS**

Adam Tech's MTJ Series is a complete line of PCB Modular Jacks, which are UL and CSA approved and meet all required FCC rules and regulations. This product line is composed of Single, Dual, and Quad Port configurations available in a multitude of sizes (4P2C through 10P10C), with options for stacked, integrated magnetics, metal shielding, panel grounds, and LED's. Hybrid combinations with USB are also available.

Adam Tech's integrated magnetics (transformers) are designed to support Base 10, 100 and 1000-T applications such as hubs, routers, ADSL modems, and ATM transmission equipment. The integrated magnetics allows the design engineer to save PC board real-estate and lower the total part count per system. This series meets all applicable specifications for CAT 5, 5e, 6, 6a, and 8, supporting speeds of up to 40GBs in performance. They are built to meet Category 5e, 6, or 6a performance according to TIA/EIA 568-C-2. These jacks support all Gigabyte and Ethernet Protocols.

Versions include metal shielding for EMI protection with ground peg location options, ground fingers, and LED's for link/activity indication and network speed verification. Adam Tech's magnetics configurations and schematics are highly customizable and interchangeable due to our in-house winding design and production. Feel free to inquire as to any specific schematic you require, which may not be included in this brochure.

In general, Adam Tech's Modular Jacks series is highly customizable with high flexibility in tooling new designs or making modifications for a specific style to accommodate applicational requirements.

## FEATURES AND BENEFITS:

- Sizes ranging from 4P2C to 10P10C
- Single, Ganged, and Stacked jacks
- Integrated magnetics options
- Metal shielding options
- Variety of LED color options
- Panel ground available
- Hybrid MTJ/USB jacks
- Through hole and surface mount
- Speeds up to 40GBs

## APPLICATIONS:

- Telecommunications
- Data networks
- Industrial automation
- Consumer electronics

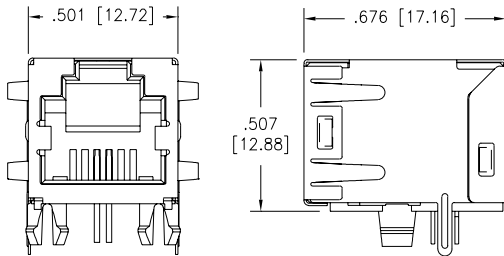
This brochure highlights our popular Modular and Magnetic Jacks. To view our full offering, please [click here](#).

Contact us at [info@adam-tech.com](mailto:info@adam-tech.com) for custom solutions.



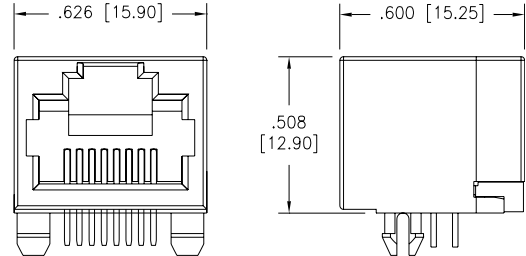
**MTJ-62ATX1-FSD-PG4-HT**

RJ25, 6P2C, Single Port, Right Angle, Tab Up, Full Shield, Panel Grounds, Through Hole, High Temp



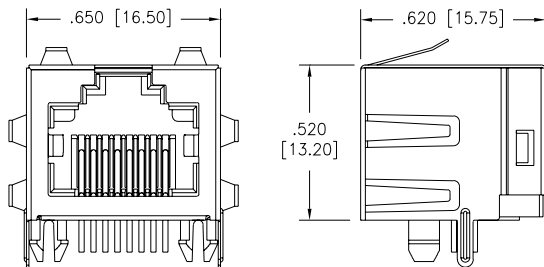
**MTJ-88ARX1-106-Y-HT**

RJ45, 8P8C, Single Port, Right Angle, Tab Up, Unshielded, Through Hole, High Temp



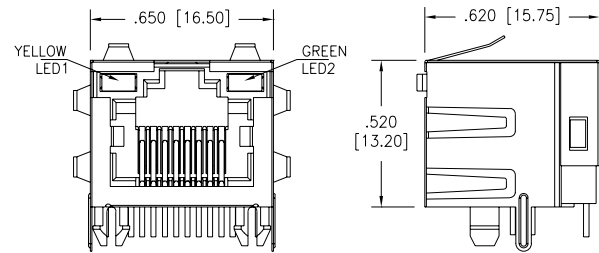
**MTJ-88ARX1-FSM-PG-HT-D**

RJ45, 8P8C, Single Port, Right Angle, Tab Up, Full Shield, Panel Grounds, Through Hole, High Temp



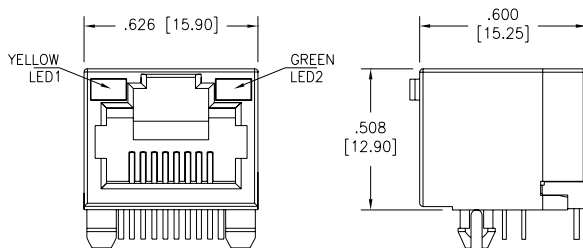
**MTJ-88ARX1-FSW-PG-LG-Y**

RJ45, 8P8C, Single Port, Right Angle, Tab Up, Full Shield, Panel Grounds, Through Hole, Yellow-Green LED's



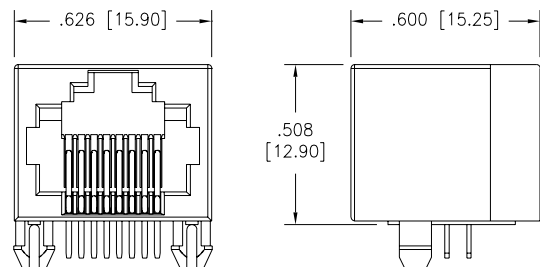
**MTJ-88ARX1-LG-Y-HT**

RJ45, 8P8C, Single Port, Right Angle, Tab Up, Unshielded, Through Hole, Yellow-Green LED's, High Temp



**MTJ-88ARX1C-Y-A**

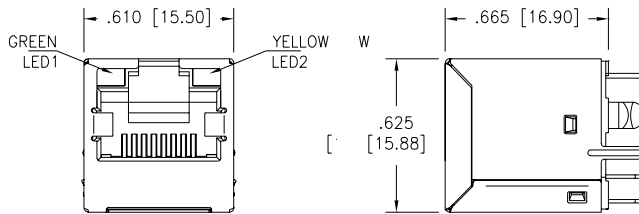
RJ45, 8P8C, Single Port, Right Angle, Tab Up, Unshielded, Through Hole



Click product box to view product datasheet at [adam-tech.com](http://adam-tech.com)

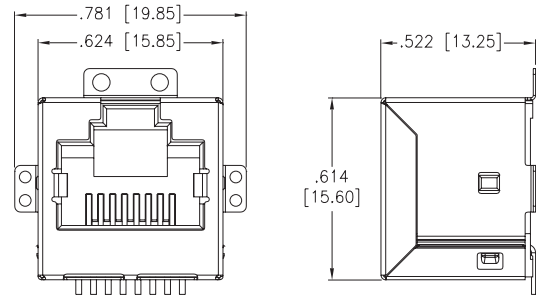
**MTJ-88AX1-FSN-LH-HT-Y-B**

RJ45, 8P8C, Single Port, Vertical, Full Shield, Through Hole, Green-Yellow LED's, High Temp



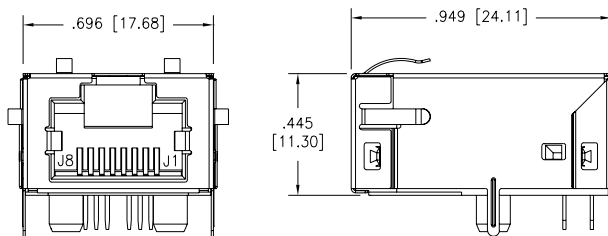
**MTJ-88HX1-FS-Y-KT-TR**

RJ45, 8P8C, Single Port, Vertical, Full Shield, Surface Mount



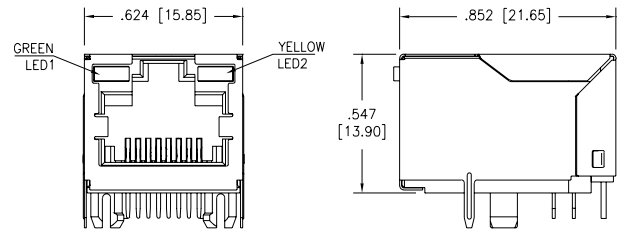
**MTJ-88SUX1-FS-PG-HT-WOT-Y**

RJ45, 8P8C, Single Port, Right Angle, Tab Up, Full Shield, Panel Grounds, Through Hole, Wide Operating Temperature



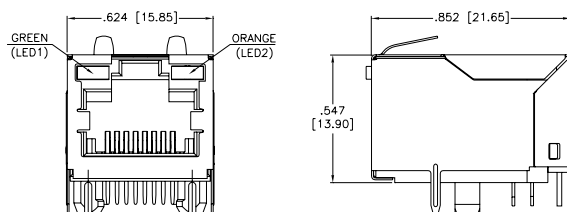
**MTJ-88TUX1-FS2-LH-C5E-HT**

RJ45, 8P8C, CAT 5e, Single Port, Right Angle, Tab Up, Full Shield, Through Hole, Green-Yellow LED's, High Temp



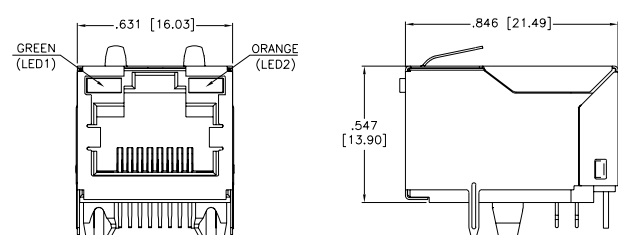
**MTJ-88TUX1-FS2-PG2T-L5-C5E-HT**

RJ45, 8P8C, CAT 5e, Single Port, Right Angle, Tab Up, Full Shield, Top Panel Grounds, Through Hole, Green-Orange LED's, High Temp



**MTJ-88TUX1-FS2-PG2T-L19-C6A-HT**

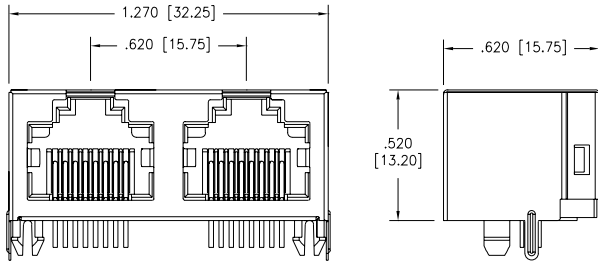
RJ45, 8P8C, CAT 6A, Single Port, Right Angle, Tab Up, Full Shield, Top Panel Grounds, Through Hole, Green-Orange LED's, High Temp



Click product box to view product datasheet at [adam-tech.com](http://adam-tech.com)

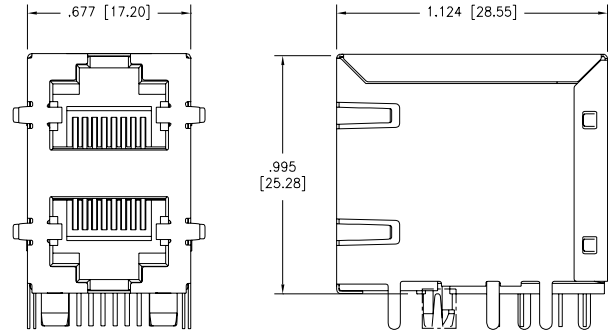
**MTJG-2-88ARX1-FSW-EMI-Y-HT-HF**

RJ45, 8P8C, 2 Port Ganged, Right Angle, Tab Up, Full Shield, Through Hole, High Temp



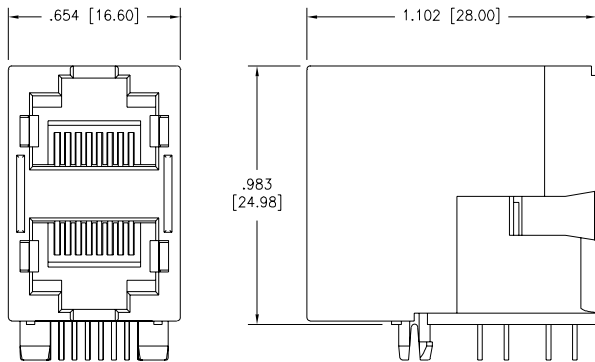
**MTJG-2-88JX1-FSG-PG-Y**

RJ45, 8P8C, 2 Port Stacked, Right Angle, Tab Up & Down, Full Shield, Side Panel Grounds, Through Hole



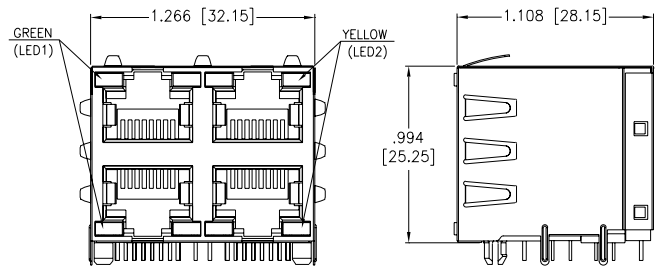
**MTJG-2-88JX1-Y**

RJ45, 8P8C, 2 Port Stacked, Right Angle, Tab Up & Down, Unshielded, Through Hole



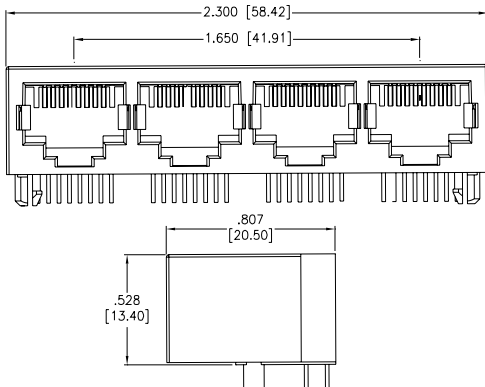
**MTJG-4-88JX1-FSH-PG-LH-Y-HT**

RJ45, 8P8C, 4 Port Ganged & Stacked, Right Angle, Tab Up & Down, Full Shield, Panel Grounds, Through Hole, Green-Yellow LED's, High Temp



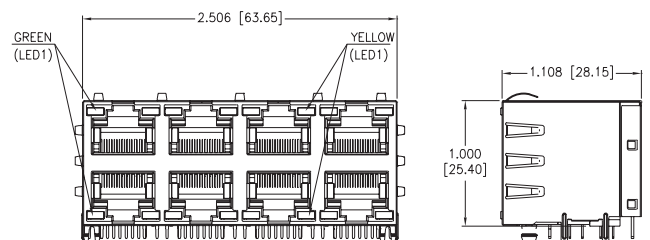
**MTJG-4-88TX1-A-HT**

RJ45, 8P8C, 4 Port Ganged, Right Angle, Tab Down, Unshielded, Through Hole, High Temp



**MTJG-8-88JX1-FSH-PG-LH-Y**

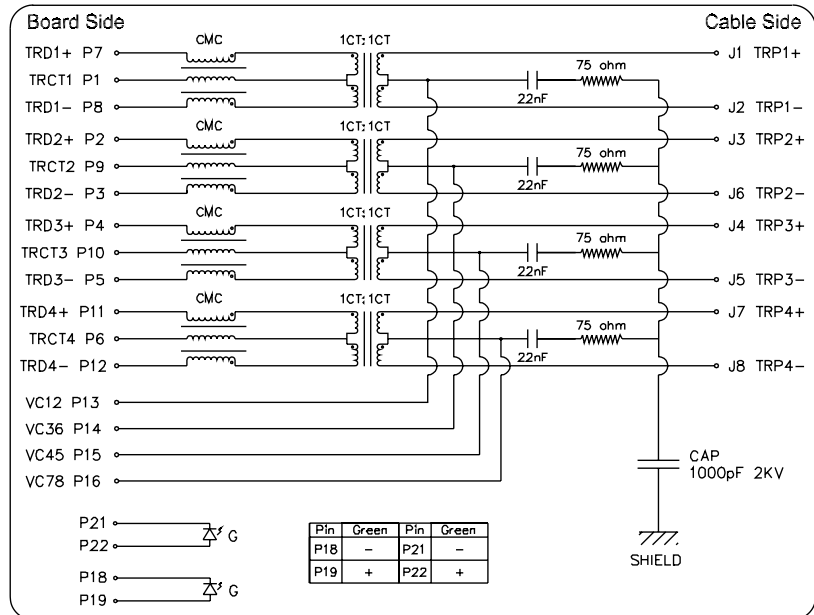
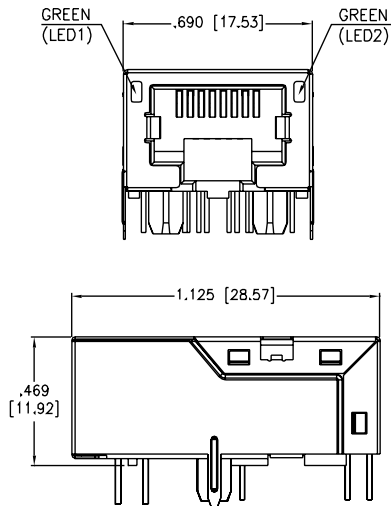
RJ45, 8P8C, 8 Port Ganged, Right Angle, Tab Up & Down, Full Shield, Panel Grounds, Through Hole, Green-Yellow LED's



Click product box to view product datasheet at [adam-tech.com](http://adam-tech.com)

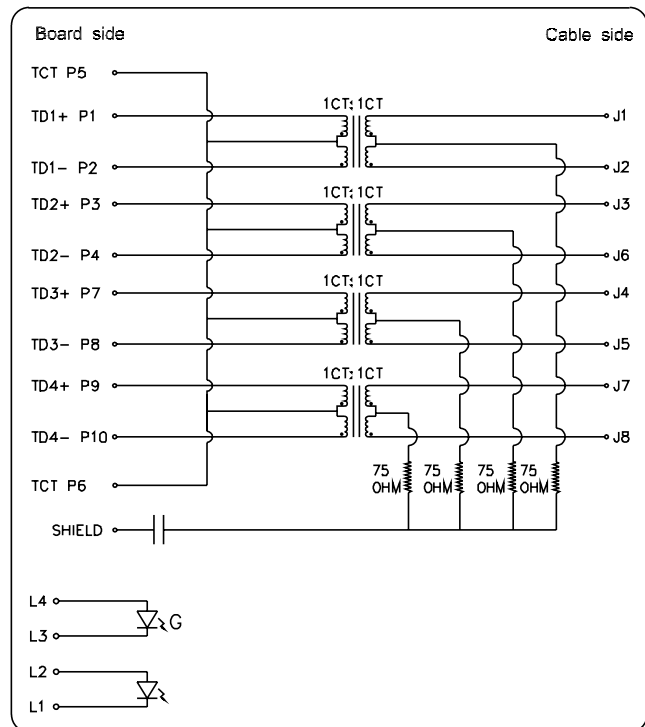
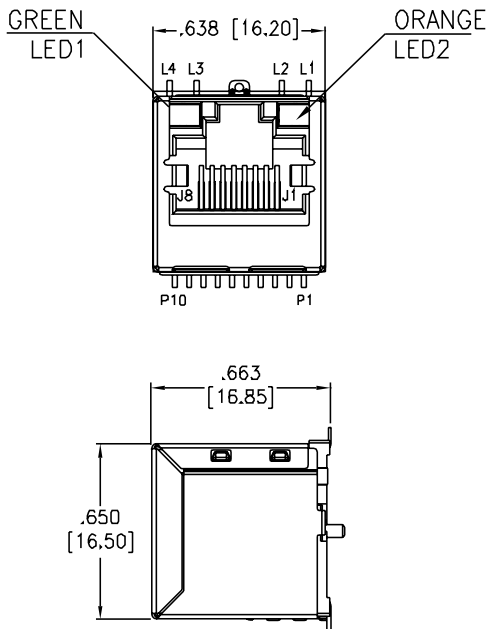
## MTJ-88AGX1-FS-VLD-M501C-WOT

RJ45, 8P8C, 25G Base-T, Single Port, Right Angle, Tab Down, Full Shield, Through Hole, Integral Magnetics, Green-Green LED's, Wide Operating Temperature



## MTJ-88AX1-FS-TSMT-P-L5-M398CH-WOT-KT

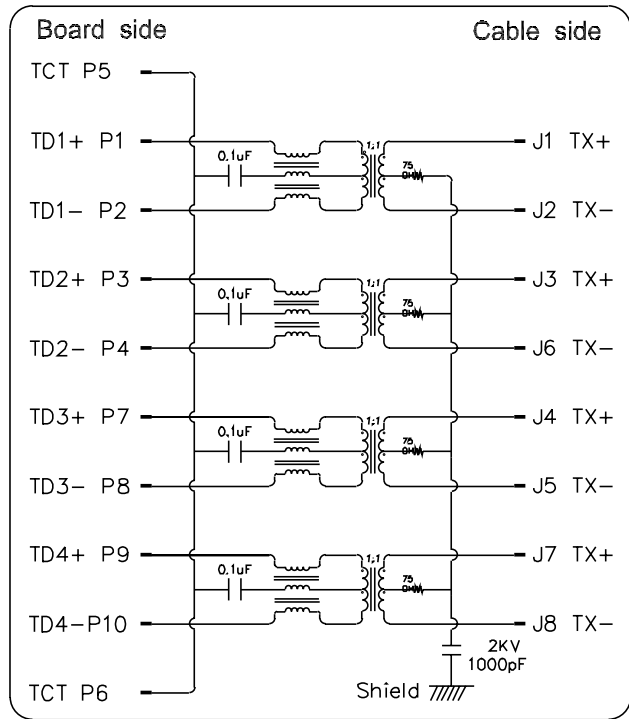
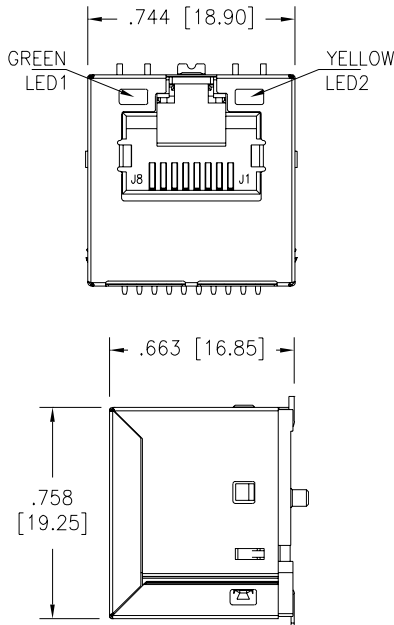
RJ45, 8P8C, 2.5G Base-T, Single Port, Vertical, Full Shield, True Surface Mount, Integral Magnetics, Green-Orange LED's, Wide Operating Temperature



Click product box to view product datasheet at [adam-tech.com](http://adam-tech.com)

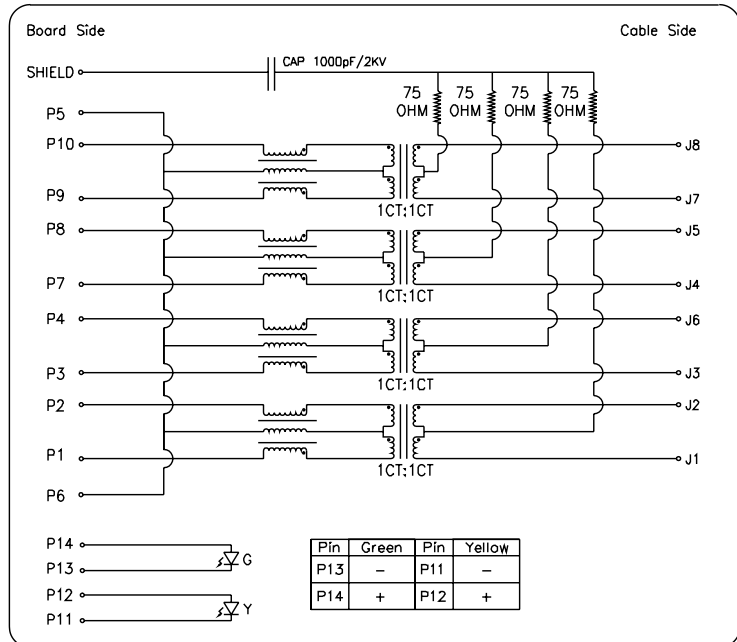
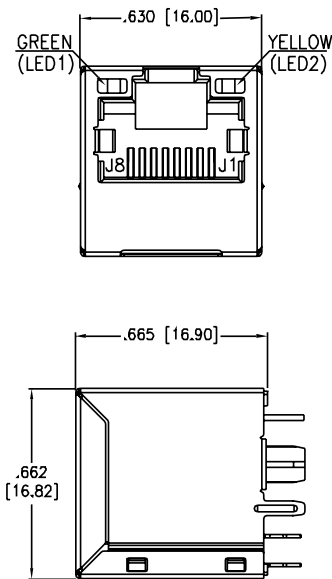
**MTJ-88AX1-FS-TSMT-P-LH-M463Y-HT-WOT-KT**

RJ45, 8P8C, 1G Base-T, Single Port, Vertical, Full Shield, True Surface Mount, Integral Magnetics, Green-Yellow LED's, High Temp, Wide Operating Temperature



**MTJ-88AX1-FSN-STP-LH-M236BC-WOT**

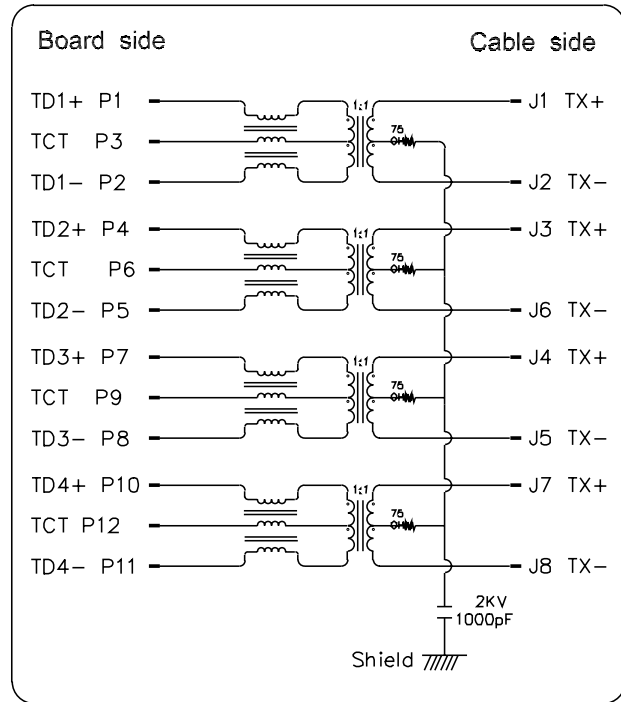
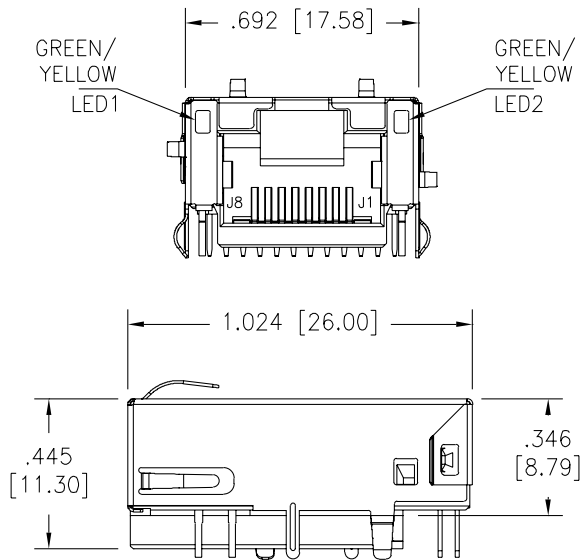
RJ45, 8P8C, 25G Base-T, Single Port, Vertical, Full Shield, Star Peg, Through Hole, Integral Magnetics, Green-Yellow LED's, Wide Operating Temperature



Click product box to view product datasheet at [adam-tech.com](http://adam-tech.com)

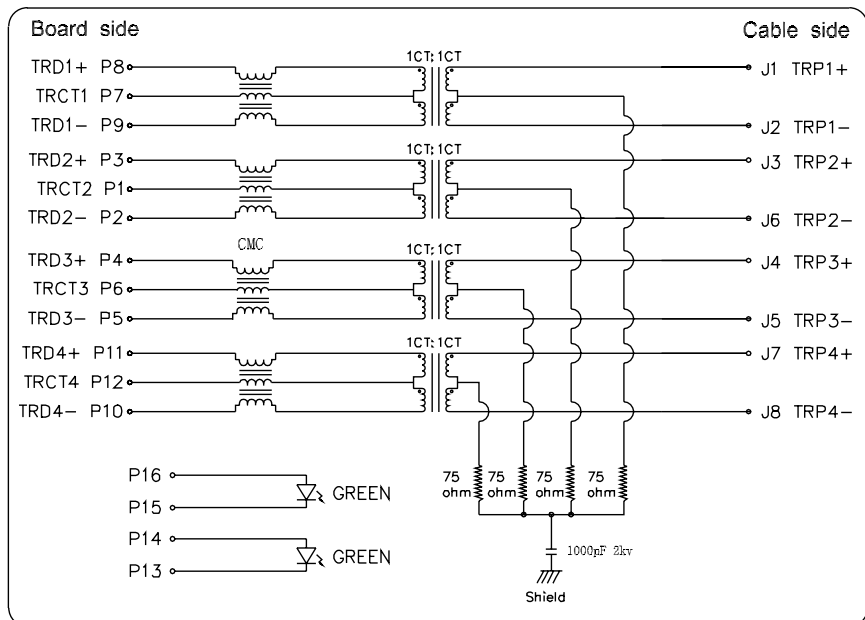
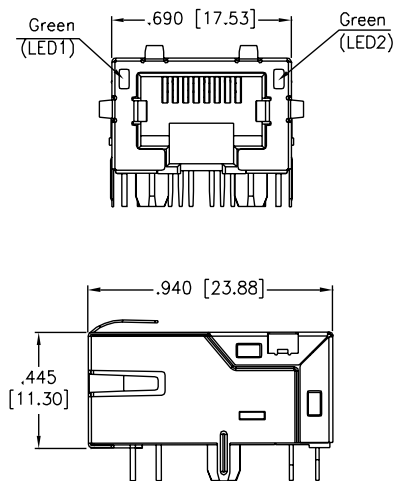
**MTJ-88BAX1-FS-PG-VL16-M329Y**

RJ45, 8P8C, 1G Base-T, Single Port, Right Angle, Mid-Mount, Tab Up, Full Shield, Panel Grounds, Through Hole, Integral Magnetics, Green/Yellow-Green/Yellow LED's



**MTJ-88NX1-FS-PG-VLD-M245AC-HT-WOT**

RJ45, 8P8C, 25G Base-T, Single Port, Right Angle, Tab Down, Full Shield, Panel Grounds, Through Hole, Integral Magnetics, Green-Green LED's, High Temp, Wide Operating Temperature

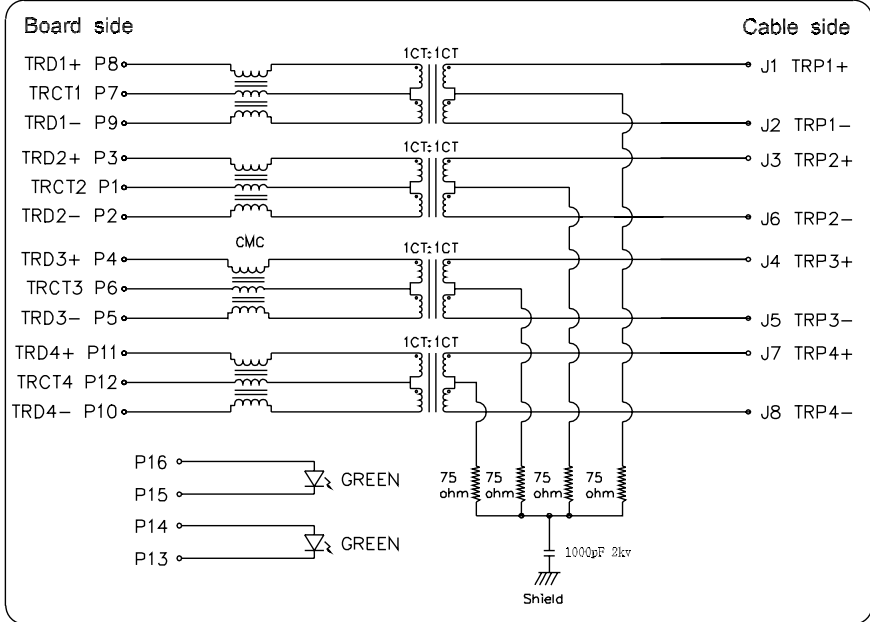
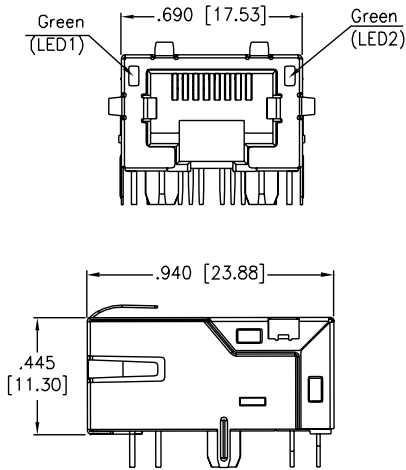


Click product box to view product datasheet at [adam-tech.com](http://adam-tech.com)



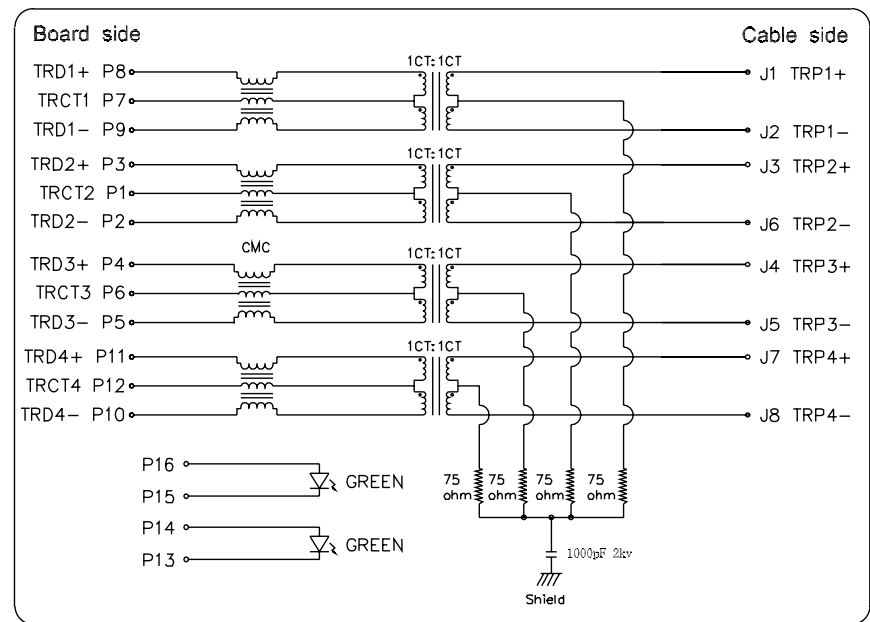
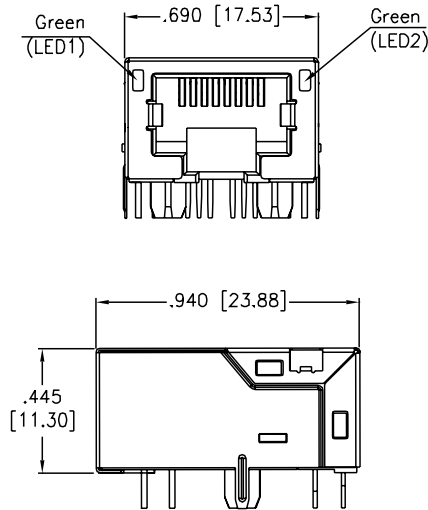
**MTJ-88NX1-FS-PG-VLD-M245BC-HT-WOT**

RJ45, 8P8C, 40G Base-T, Single Port, Right Angle, Tab Down, Full Shield, Panel Grounds, Through Hole, Integral Magnetics, Green-Green LED's, High Temp, Wide Operating Temperature



**MTJ-88NX1-FS-VLD-M245AC-HT-WOT**

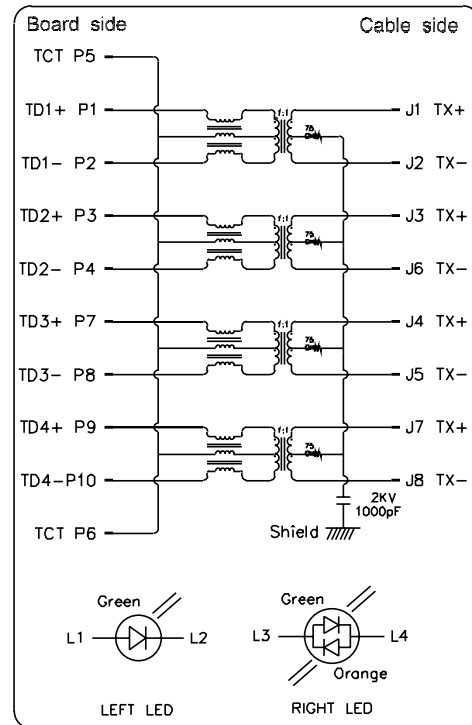
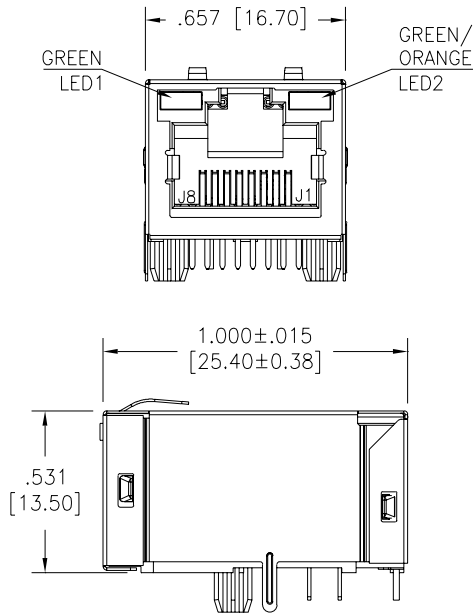
RJ45, 8P8C, 25G Base-T, Single Port, Right Angle, Tab Down, Full Shield, Through Hole, Integral Magnetics, Green-Green LED's, High Temp, Wide Operating Temperature



Click product box to view product datasheet at [adam-tech.com](http://adam-tech.com)

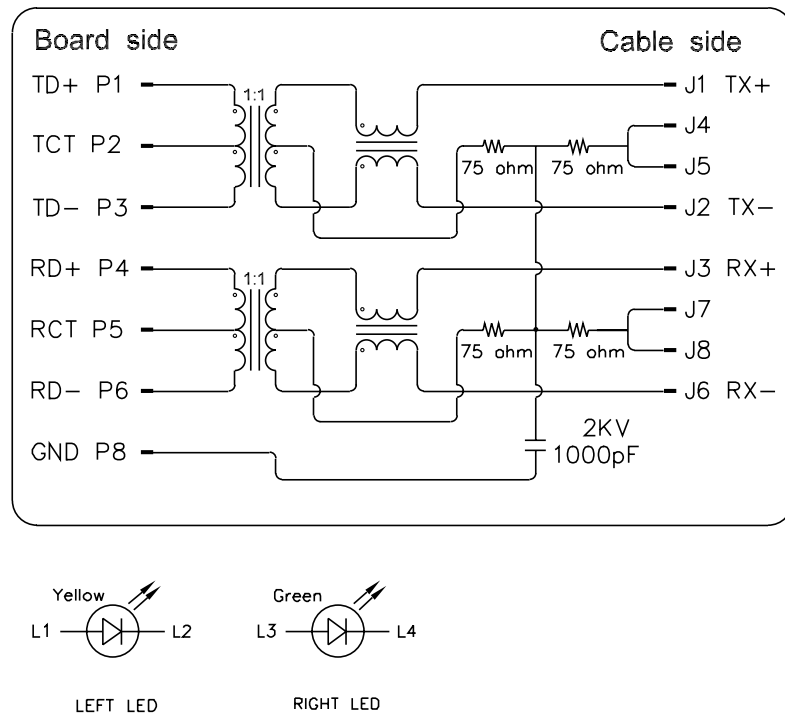
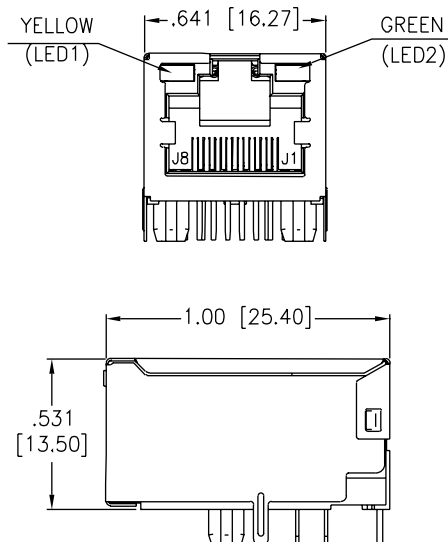
**MTJ-88S11-PG-FSD-L36-M236Y-HT-WOT**

RJ45, 8P8C, 1000 Base-T, Single Port, Right Angle, Tab Up, Full Shield, Panel Grounds, Through Hole, Integral Magnetics, Green-Green/Orange LED's, High Temp, Wide Operating Temperature



**MTJ-88SX1-FSD-LG-M5Y-HT-WOT**

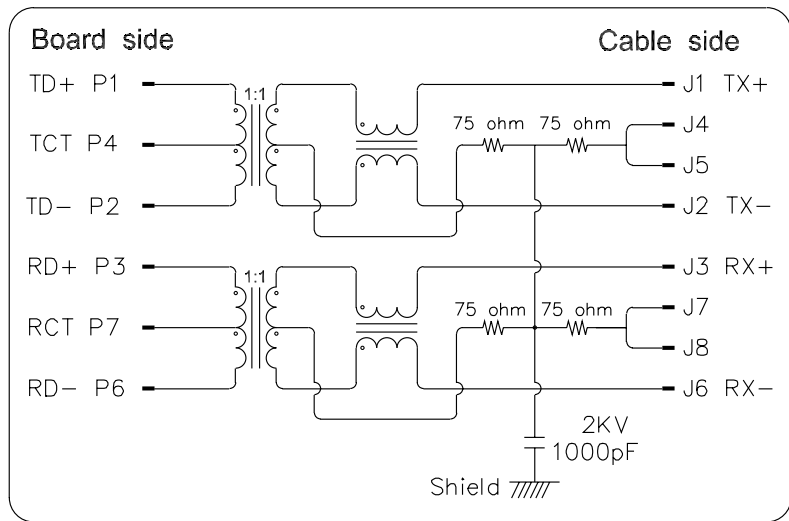
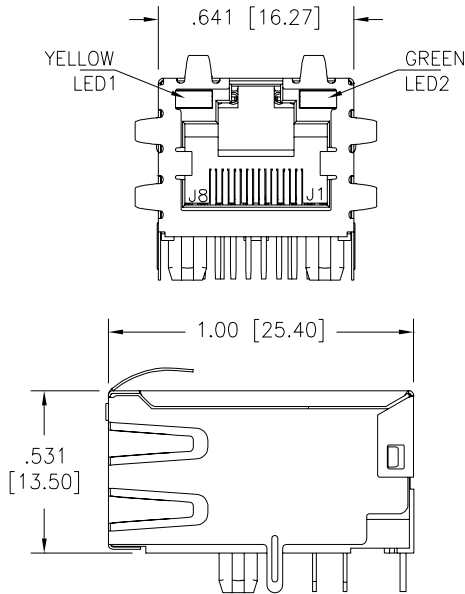
RJ45, 8P8C, 10/100 Base-T, Single Port, Right Angle, Tab Up, Full Shield, Through Hole, Integral Magnetics, Yellow-Green LED's, High Temp, Wide Operating Temperature



Click product box to view product datasheet at [adam-tech.com](http://adam-tech.com)

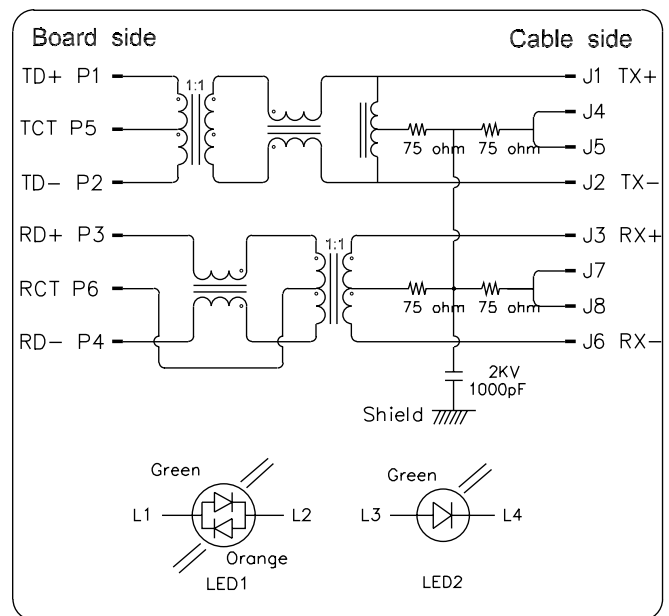
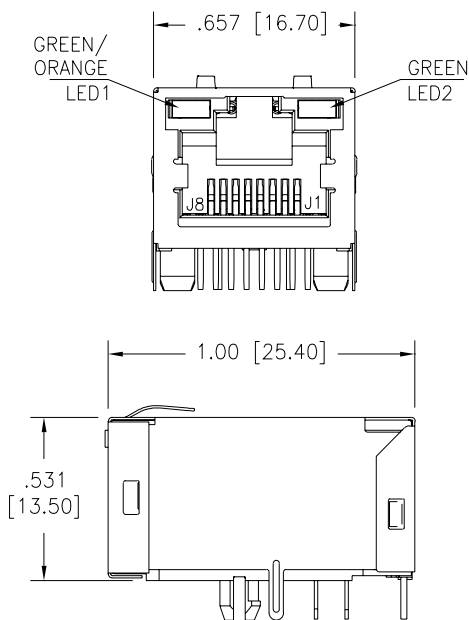
**MTJ-88SX1-FSD-PG-LG-M14Y**

RJ45, 8P8C, 10/100 Base-T, Single Port, Right Angle, Tab Up, Full Shield, Through Hole, Integral Magnetics, Yellow-Green LED's



**MTJ-88SX1-FSD-PG2-L37-M346Y**

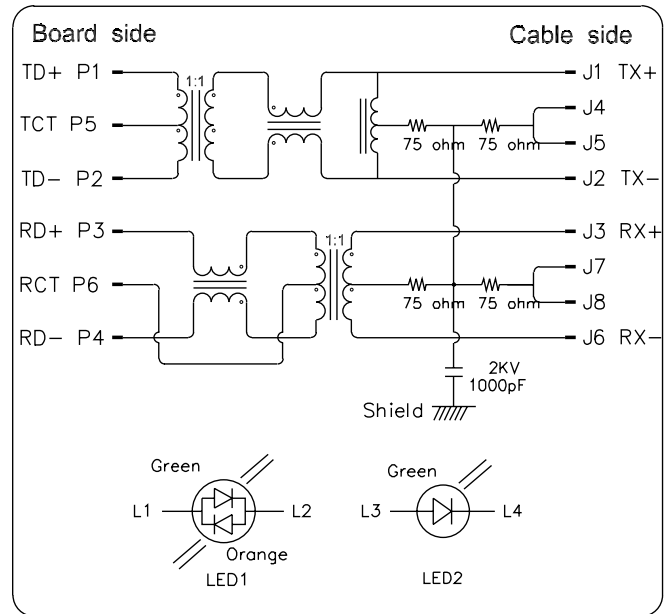
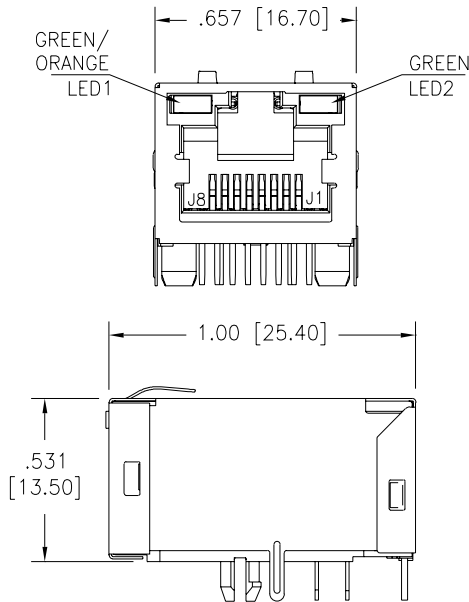
RJ45, 8P8C, 10/100 Base-T, Single Port, Right Angle, Tab Up, Full Shield, Top Panel Grounds, Through Hole, Integral Magnetics, Green/Orange-Green LED's



Click product box to view product datasheet at [adam-tech.com](http://adam-tech.com)

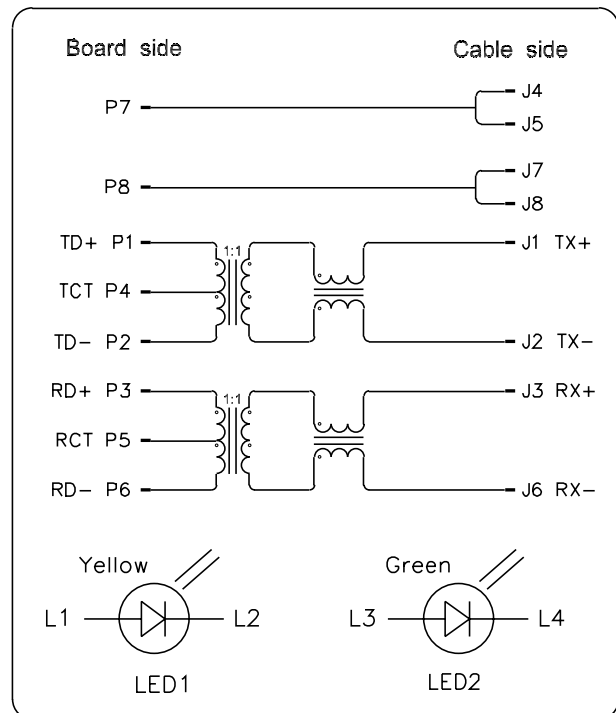
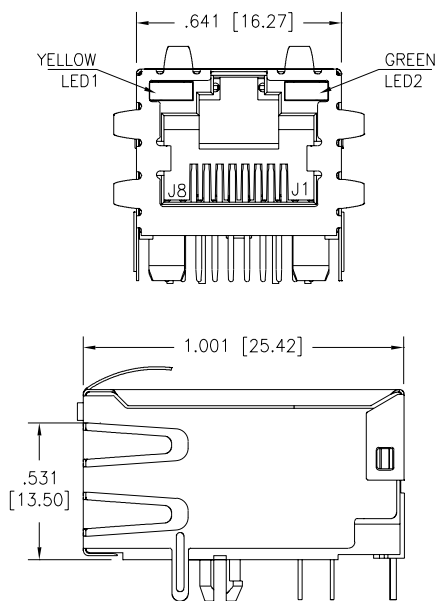
**MTJ-88SX1-FSD-PG2-L37-M346YA**

RJ45, 8P8C, 10/100 Base-T, Single Port, Right Angle, Tab Up, Full Shield, Top Panel Grounds, Through Hole, Integral Magnetics, Green/Orange-Green LED's, Surge Protection



**MTJ-88SX1-FSP-PG-LG-M3Y**

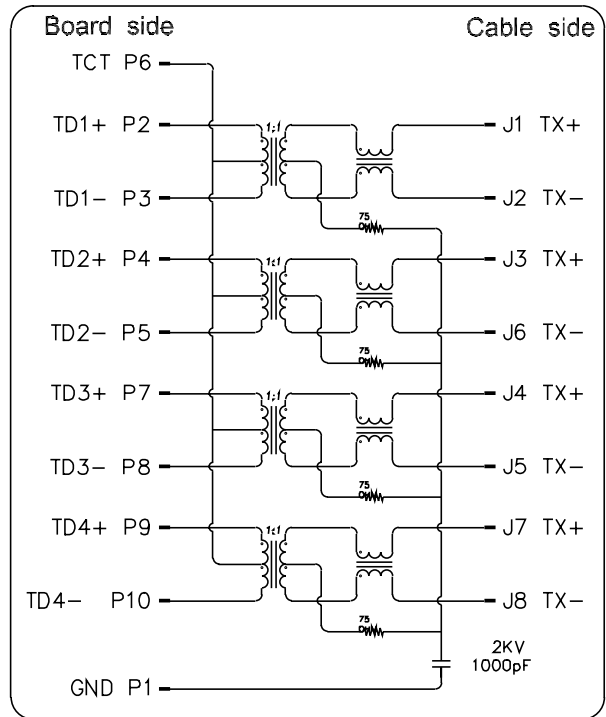
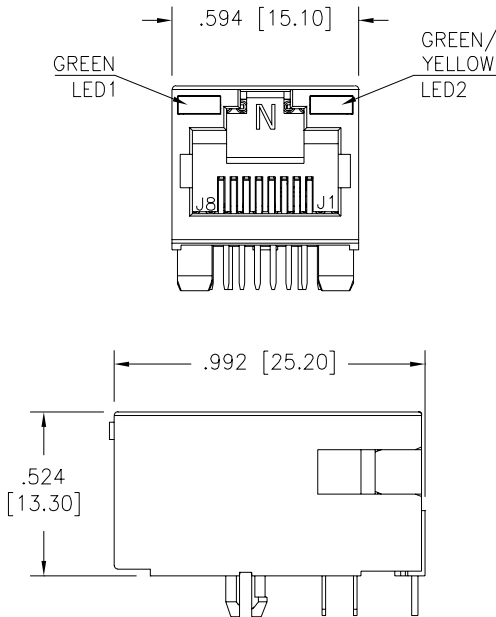
RJ45, 8P8C, 10/100 Base-T, Single Port, Right Angle, Tab Up, Full Shield, Panel Grounds, Through Hole, Integral Magnetics, Yellow-Green LED's



Click product box to view product datasheet at [adam-tech.com](http://adam-tech.com)

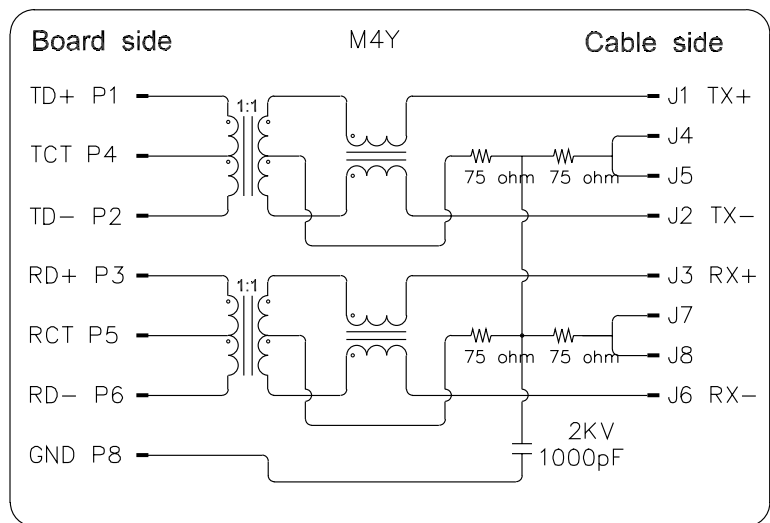
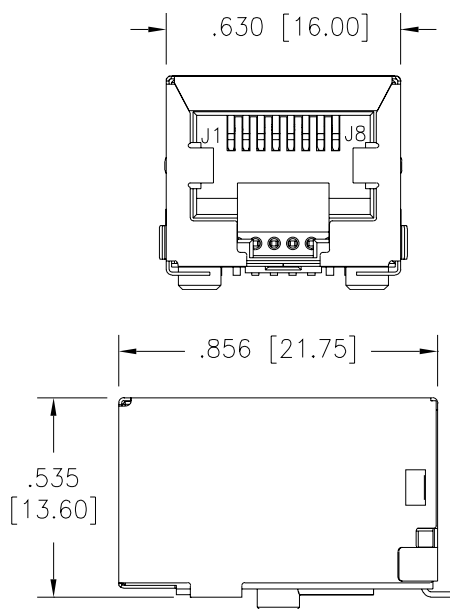
**MTJ-88SX1-L35-M397Y-HT**

RJ45, 8P8C, 1G Base-T, Single Port, Right Angle, Tab Up, Unshielded, Through Hole, Integral Magnetics, Green-Green/Yellow LED's, High Temp



**MTJ-88TX1-FS-M4Y-SMT**

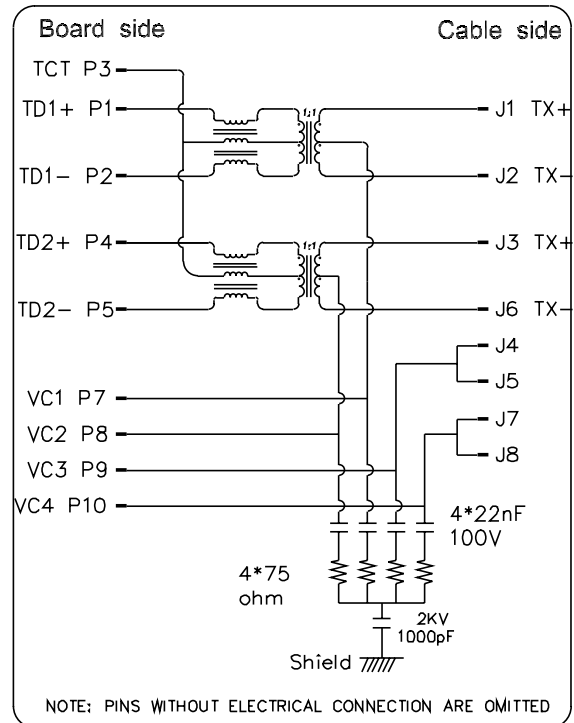
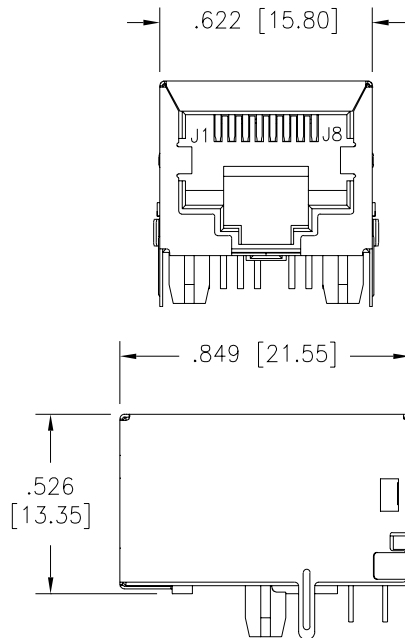
RJ45, 8P8C, 10/100 Base-T, Single Port, Right Angle, Tab Down, Full Shield, Surface Mount, Integral Magnetics



Click product box to view product datasheet at [adam-tech.com](http://adam-tech.com)

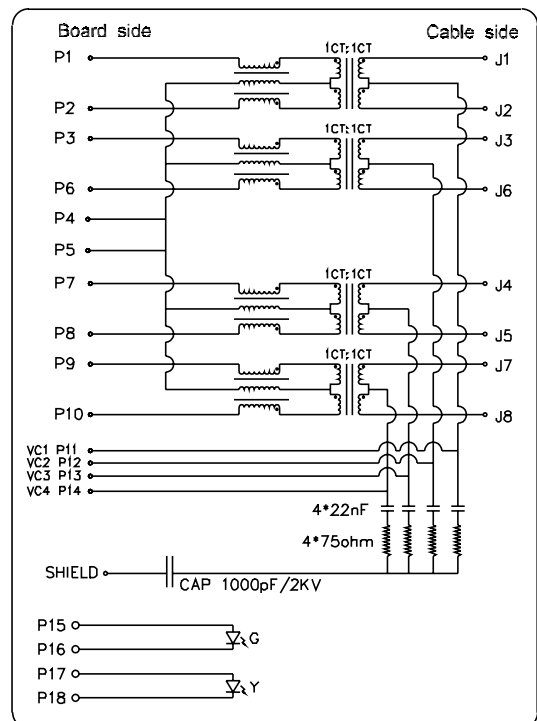
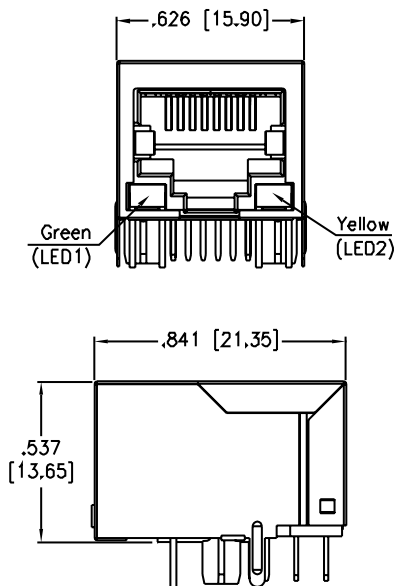
**MTJ-88TX1-FSD-083-M171Y-A-X6**

RJ45, 8P8C, 100 Base-T POE, Single Port, Right Angle, Tab Down, Full Shield, Through Hole, Integral Magnetics



**MTJ-88TX1-FSD-LH-M365BC-WOT**

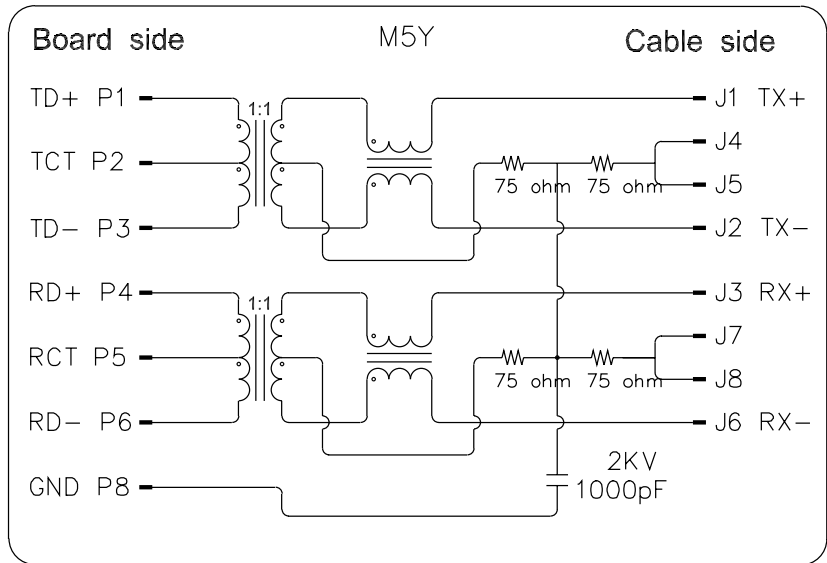
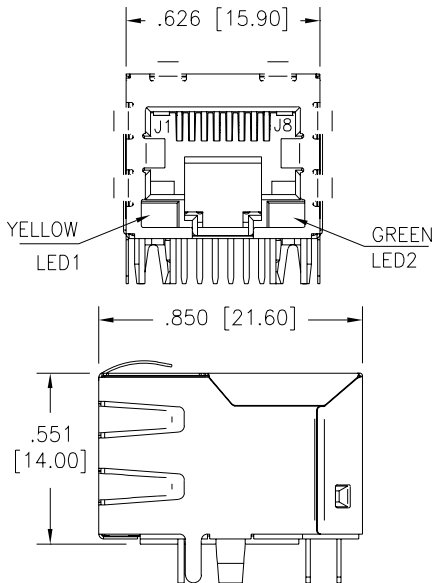
RJ45, 8P8C, 25G Base-T, Single Port, Right Angle, Tab Down, Full Shield, Through Hole, Integral Magnetics, Green-Yellow LED's, Wide Operating Temperature



Click product box to view product datasheet at [adam-tech.com](http://adam-tech.com)

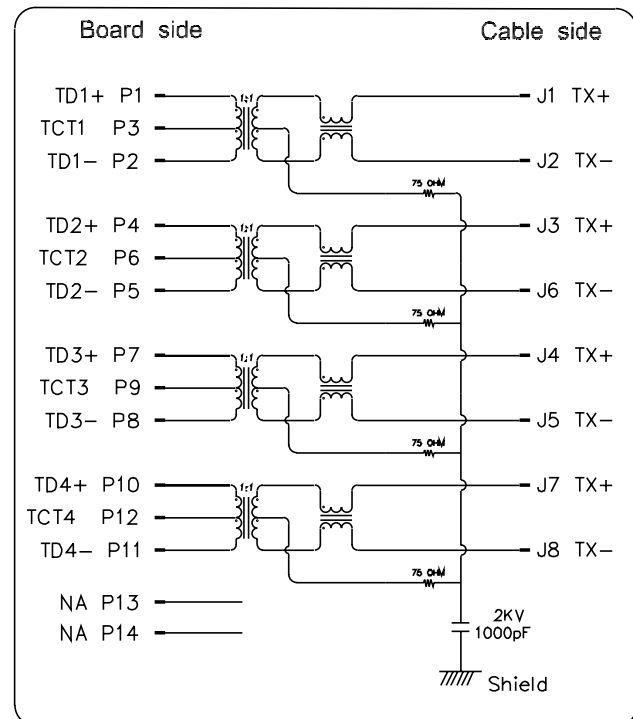
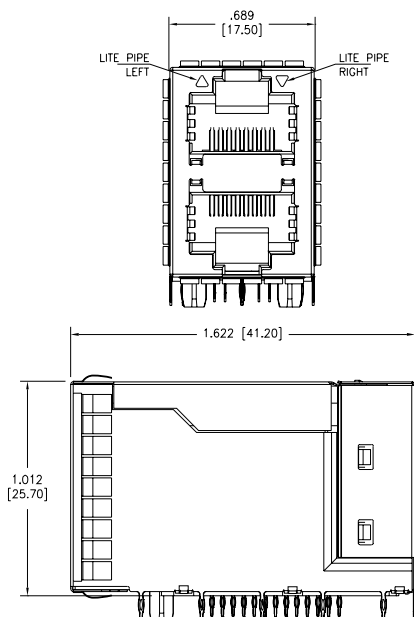
**MTJ-88TX1-FSE-PG-LG-M5Y**

RJ45, 8P8C, 10/100 Base-T, Single Port, Right Angle, Tab Down, Full Shield, Tab Up & Down, Panel Grounds, Through Hole, Integral Magnetics, Yellow- Green LED's



**MTJG-2-88JX1-FS-PG-LTP-M464Y-WOT**

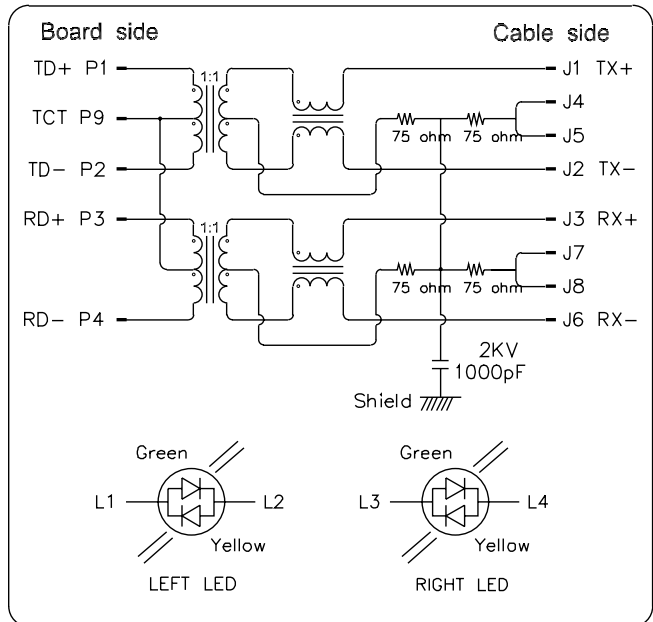
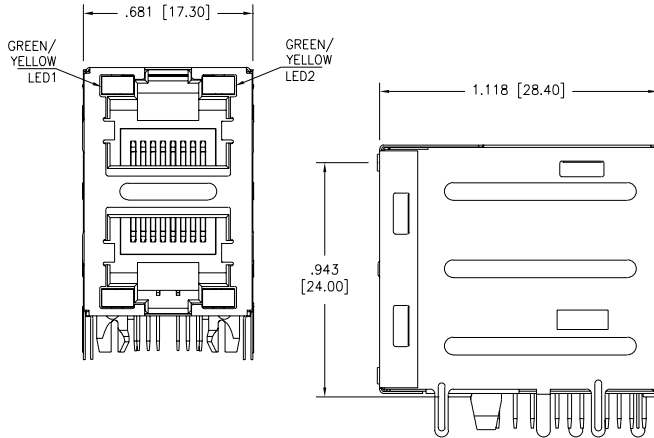
RJ45, 8P8C, 10G Base -T, 2 Port Stacked, Right Angle, Tab Up & Down, Full Shield, Through Hole, Integral Magnetics, Light Pipes, Wide Operating Temperature



Click product box to view product datasheet at [adam-tech.com](http://adam-tech.com)

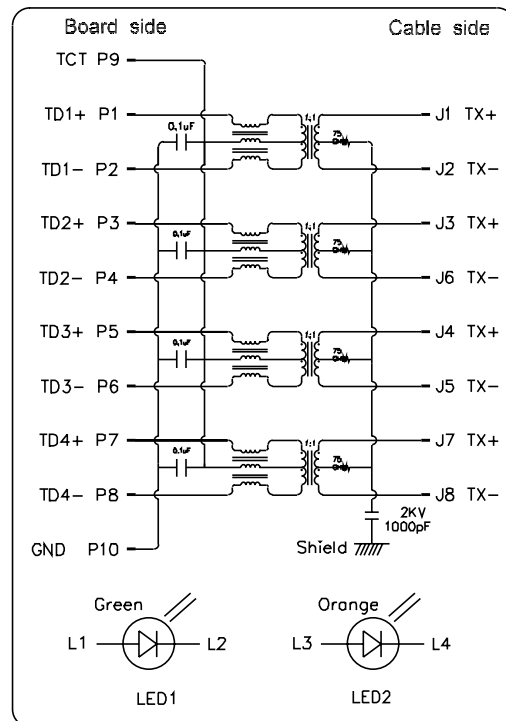
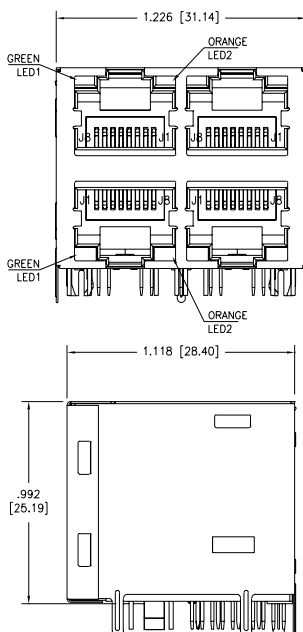
**MTJG-2-88JX1-V-FSG-L16-M169Y**

RJ45, 8P8C, 100 Base-T, 2 Port Stacked, Right Angle, Tab Up & Down, Full Shield, Through Hole, Integral Magnetics, Green/Yellow-Green/Yellow LED's



**MTJG-4-88JX1-FSG-L5-M150Y-HT**

RJ45, 8P8C, 1000 Base-T, 4 Port Ganged & Stacked, Right Angle, Tab Up & Down, Full Shield, Through Hole, Integral Magnetics, Green-Orange LED's, High Temp

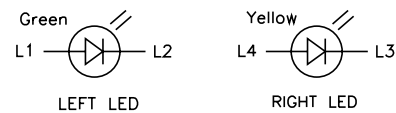
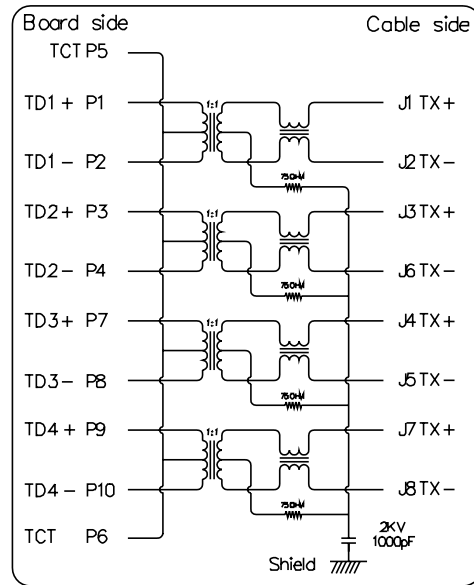
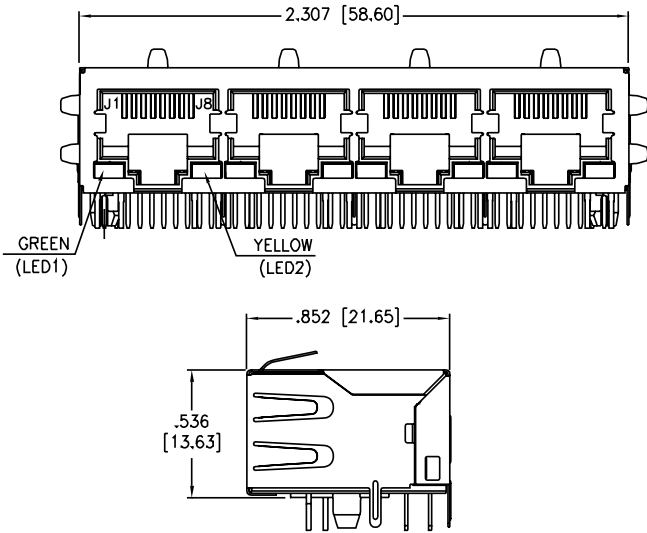


Click product box to view product datasheet at [adam-tech.com](http://adam-tech.com)



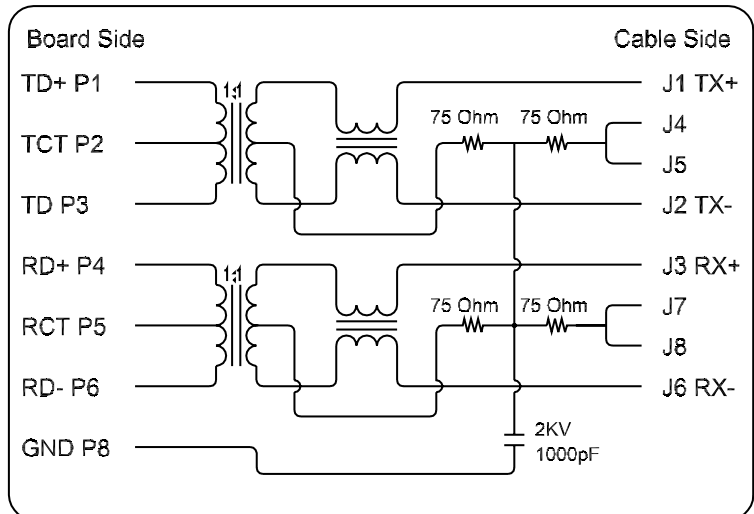
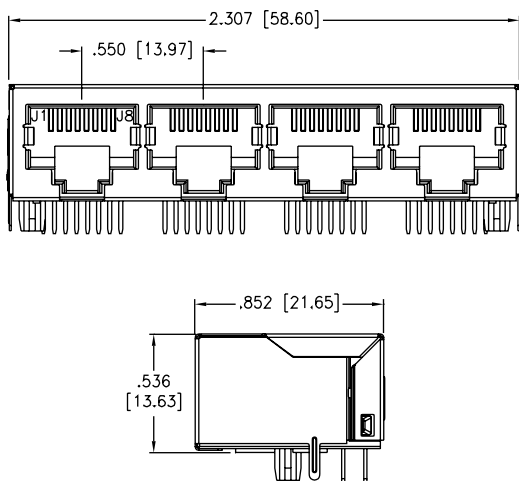
## MTJG-4-88TX1-FSD-PG-LH-M21Y-HT

RJ45, 8P8C, 1G Base-T, 4 Port Ganged, Right Angle, Tab Down, Full Shield, Panel Grounds, Through Hole, Integral Magnetics, Green-Yellow LED's, High Temp



## MTJG-4-88TX1-FSD-M5Y-HT

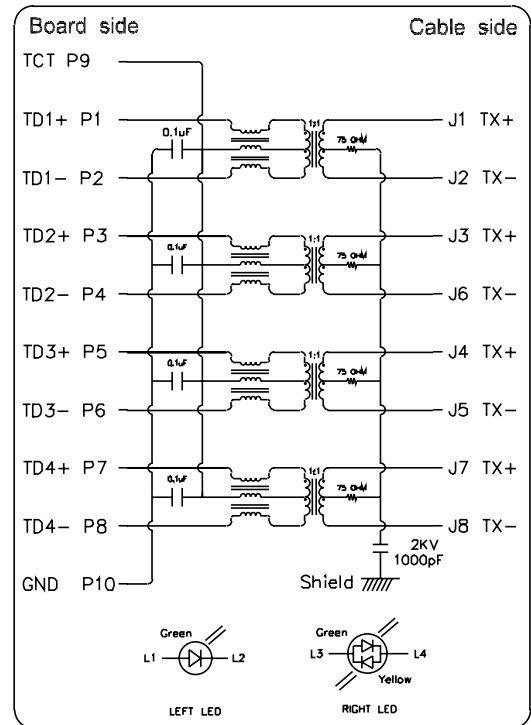
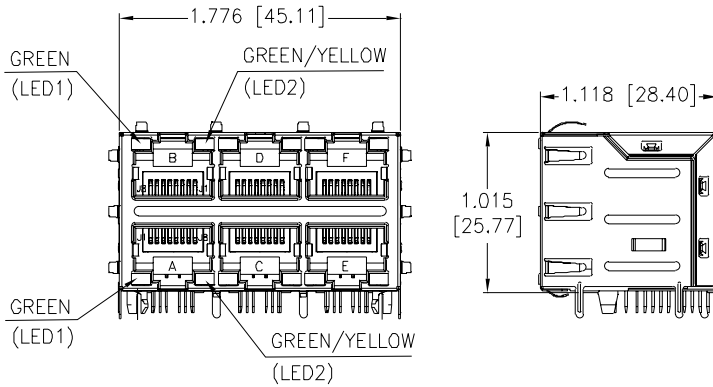
RJ45, 8P8C, 10/100 Base-T, 4 Port Ganged, Right Angle, Tab Down, Full Shield, Through Hole, Integral Magnetics, High Temp



Click product box to view product datasheet at [adam-tech.com](http://adam-tech.com)

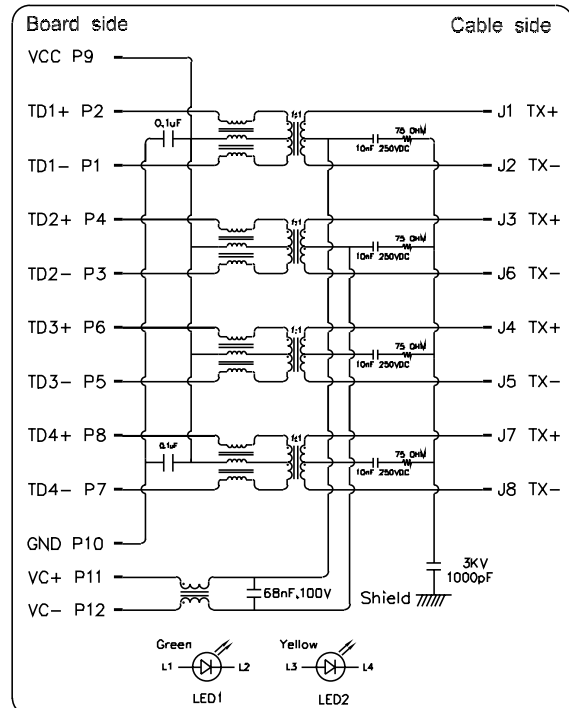
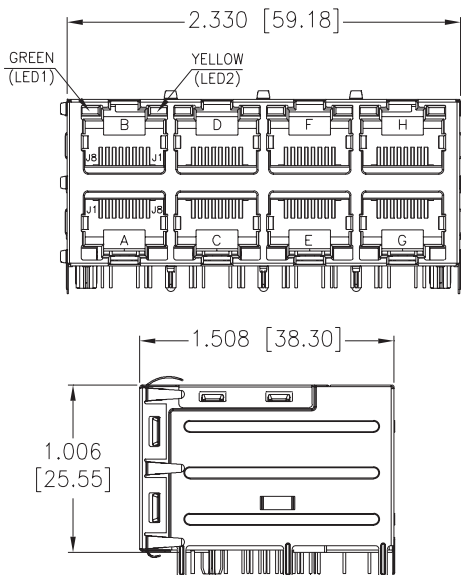
**MTJG-6-88JX1-FSG-PG-L35-M150Y-WOT**

RJ45, 8P8C, 1000 Base-T, 6 Port Ganged & Stacked, Right Angle, Tab Up & Down, Full Shield, Panel Grounds, Through Hole, Integral Magnetics, Green-Green/Yellow LED's, Wide Operating Temperature



**MTJG-8-88JX1-FS-PG-LH-M295YA-HT-WOT**

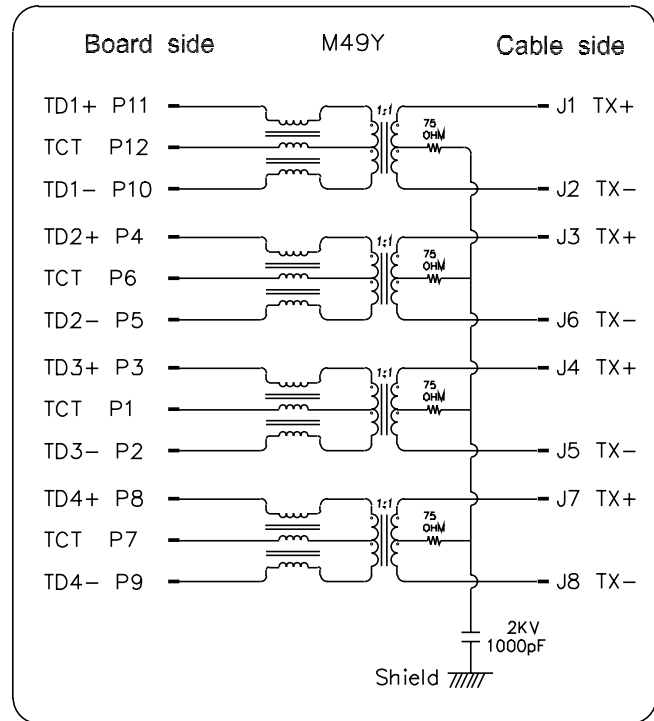
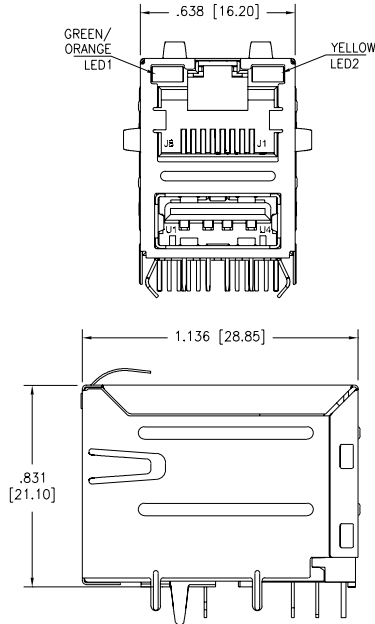
RJ45, 8P8C, 1000 Base-T, 8 Port Ganged & Stacked, Right Angle, Tab Up & Down, Full Shield, Panel Grounds, Through Hole, Integral Magnetics, Green-Yellow LED's, High Temp, Wide Operating Temperature



Click product box to view product datasheet at [adam-tech.com](http://adam-tech.com)

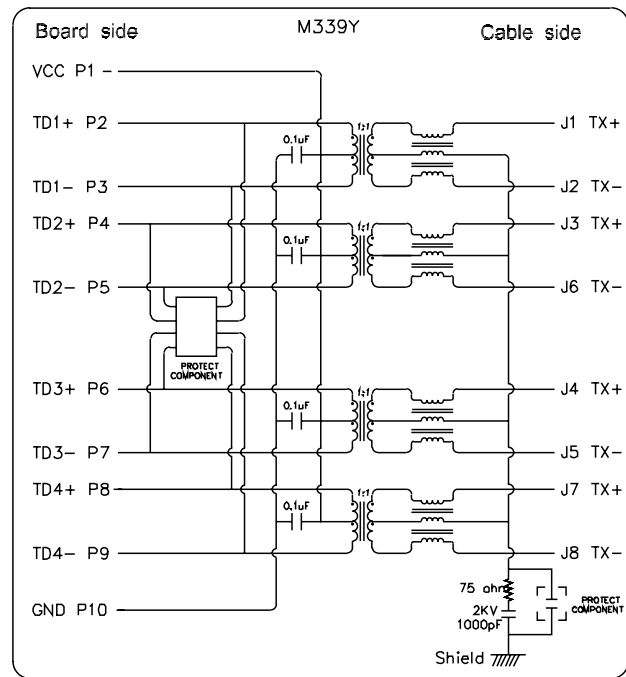
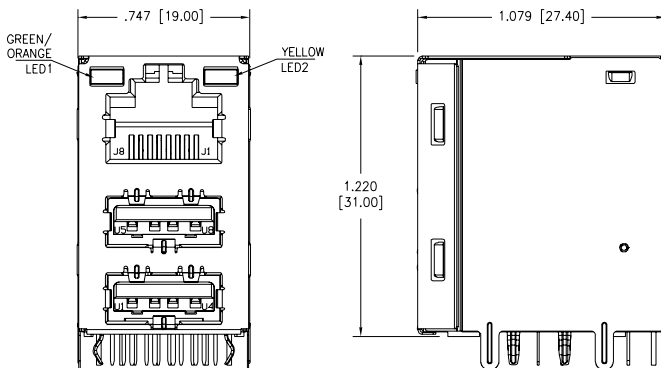
**MTJ-USB-88JX1-FS-PG-L29-M49Y**

RJ45 8P8C Over USB 2.0, 10/100 Base-T POE, Right Angle, Tab Up, Full Shield, Panel Grounds, Through Hole, Integral Magnetics, Green/Orange-Yellow LED's



**MTJ-DUSB-88JX1-FS-L29-M339Y**

RJ45 8P8C Over Dual USB 2.0, 1G Base-T w/ protect component, Right Angle, Tab Up, Full Shield, Through Hole, Integral Magnetics, Green/Orange-Yellow LED's



Click product box to view product datasheet at [adam-tech.com](http://adam-tech.com)

# ADAM TECH

## **ADAM TECH USA (WORLDWIDE HQ)**

909 Rahway Ave.  
Union, NJ 07083  
U.S.A.  
Tel: 908-687-5000  
Fax: 908-687-5710  
Email: [info@adam-tech.com](mailto:info@adam-tech.com)

## **ADAM TECH EUROPE**

Marcel Schwob  
Karlsruhe, Germany  
Email: [info@adam-tech.com](mailto:info@adam-tech.com)

## **ADAM TECH SOUTH AMERICA**

Cesar Nakajune  
Sao Paulo, Brazil  
Email: [info@adam-tech.com](mailto:info@adam-tech.com)

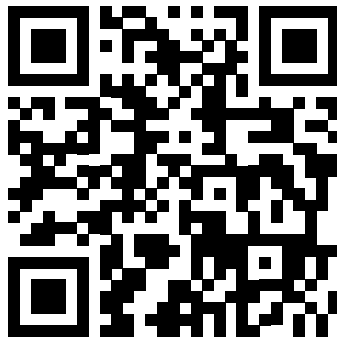
## **ADAM TECH TAIWAN**

9F-3, No. 10, Lane 609, Sec. 5, Chongxin Rd.  
Sancong Dist., New Taipei City 241  
Taiwan (R.O.C.)  
Tel: 886-2 2999 8028  
Fax: 886-2 2999 8062  
Email: [info@adam-tech.com](mailto:info@adam-tech.com)

## **ADAM TECH CHINA**

Yingfeng 1st Road, Dajingtou Community  
Dalang Town, Dongguan City  
Guangdong Province  
China (P.R.C.)  
Tel: 886-2 2999 8028  
Fax: 886-2 2999 8062  
Email: [info@adam-tech.com](mailto:info@adam-tech.com)

To contact us, scan the QR  
code to reach our website  
inquiry form.



[adam-tech.com](http://adam-tech.com)